

D

C

B

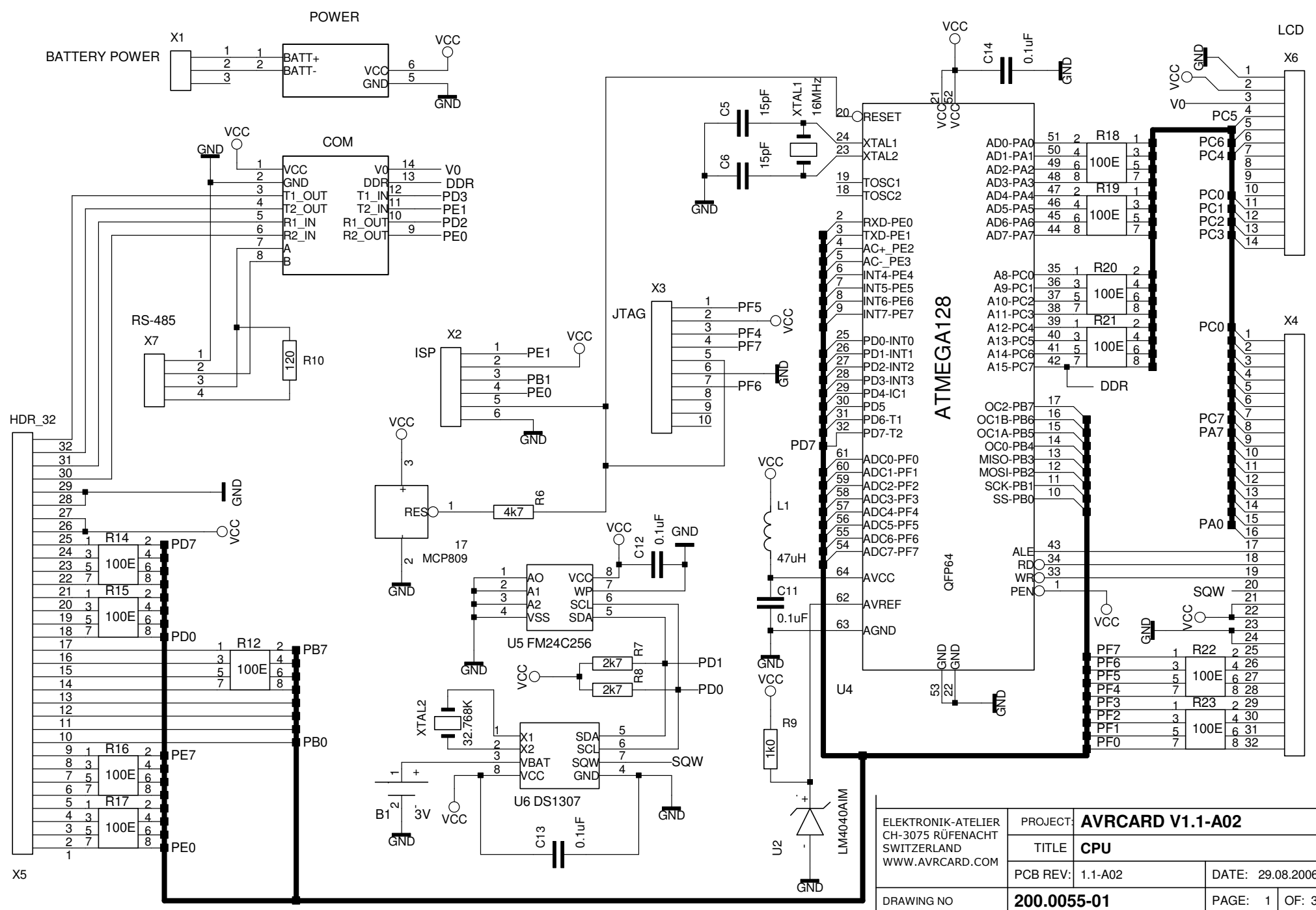
A

D

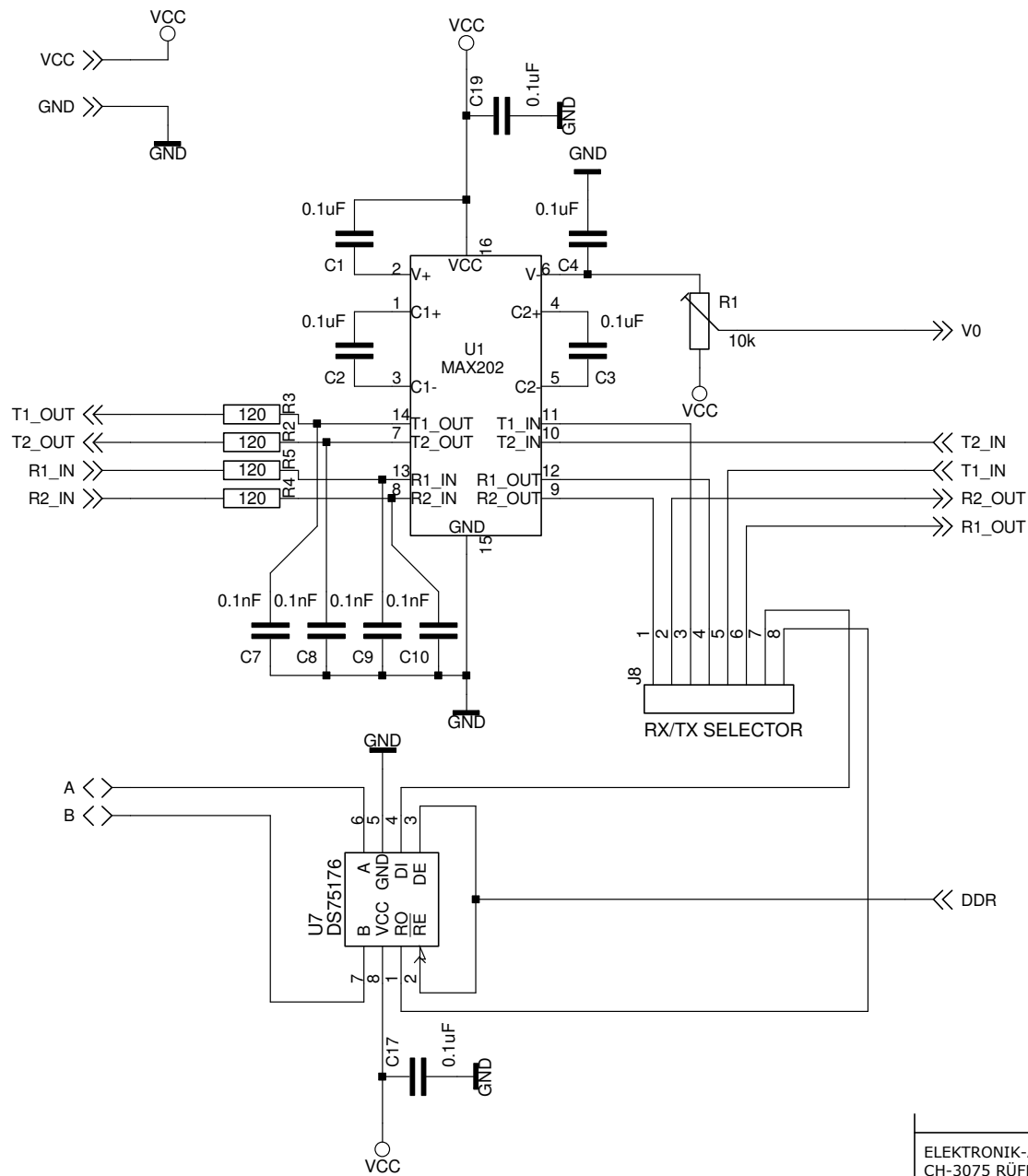
C

B

A

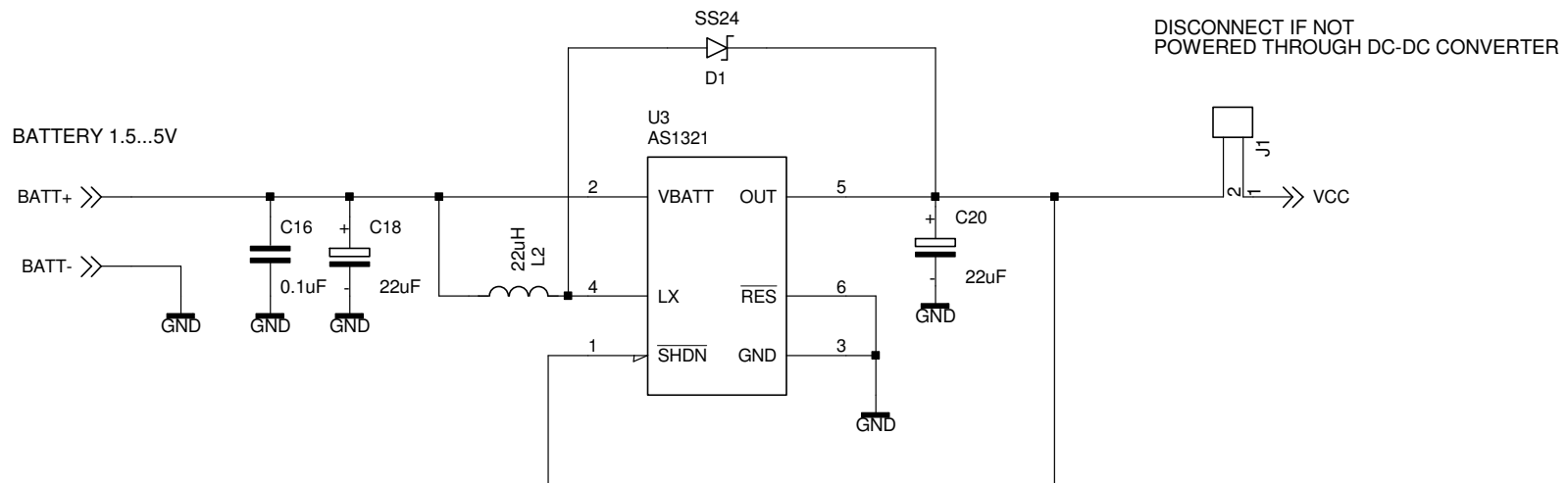


ELEKTRONIK-ATELIER CH-3075 RÜFENACHT SWITZERLAND WWW.AVRCARD.COM	PROJECT:	AVRCARD V1.1-A02	
	TITLE:	CPU	
DRAWING NO	PCB REV:	1.1-A02	DATE: 29.08.2006
	200.0055-01		PAGE: 1 OF: 3



ELEKTRONIK-ATELIER
 CH-3075 RÜFENACHT
 SWITZERLAND
 WWW.AVRCARD.COM

PROJECT:	AVRCARD V1.1-A02		
TITLE:	INTERFACES		
PCB REV:	1.1-A02	DATE:	29.08.2006
DRAWING NO	200.0055-02	PAGE:	2 OF: 3



ELEKTRONIK-ATELIER
 CH-3075 RÜFENACHT
 SWITZERLAND
 WWW.AVRCARD.COM

PROJECT:	AVRCARD V1.1-A02		
TITLE:	BATTERY POWER SUPPLY		
PCB REV:	1.1-A02	DATE:	29.08.2006
DRAWING NO	200.0055-03		PAGE: 3 OF: 3