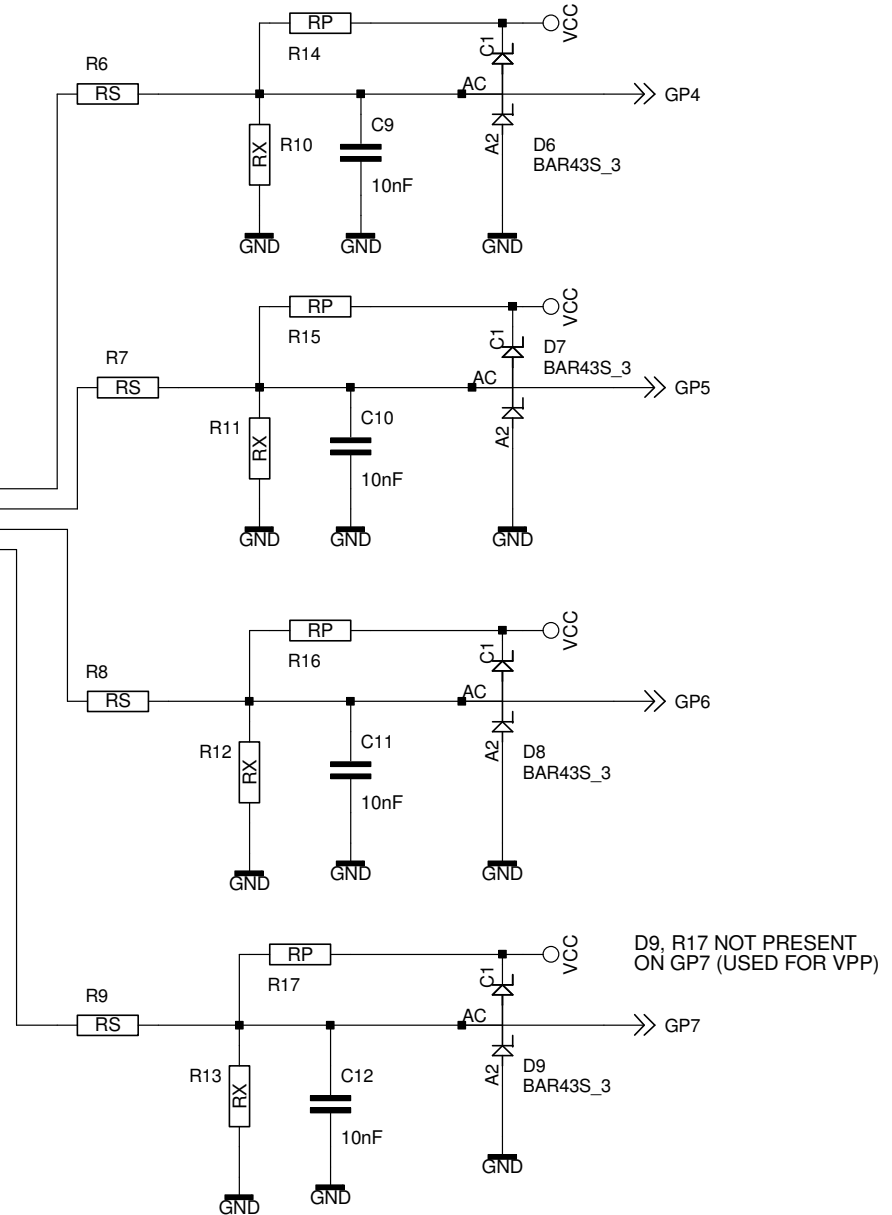
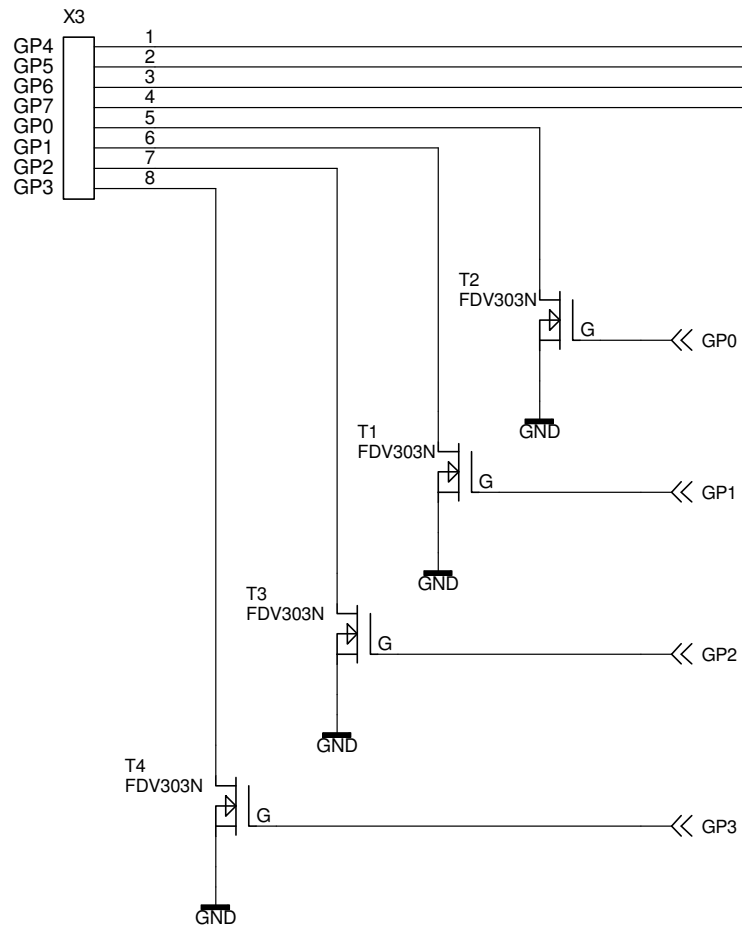


ACTVATE LINE TERMINATION

ELEKTRONIK-ATELIER CH-3075 RÜFENACHT SWITZERLAND WWW.AVRCARD.COM	PROJECT:	CANLY	
	TITLE:	CAN INTERFACE	
DRAWING NO	PCB REV:	1.1	DATE: 15.04.2005
	200.0024-01		PAGE: 1 OF: 2

24V INPUT: RS=4K7, RX=1K
 RP=OPEN
 12V INPUT: RS=2K2, RX=1K
 RP=OPEN
 SW TO GND: RS=220E, RX=OPEN
 RP=10K



ELEKTRONIK-ATELIER CH-3075 RÜFENACHT SWITZERLAND WWW.AVRCARD.COM	PROJECT:	CANLY	
	TITLE:	DIGITAL I/O	
	PCB REV:	1.1	DATE: 15.04.2005
DRAWING NO	200.0024-02		PAGE: 2 OF: 2