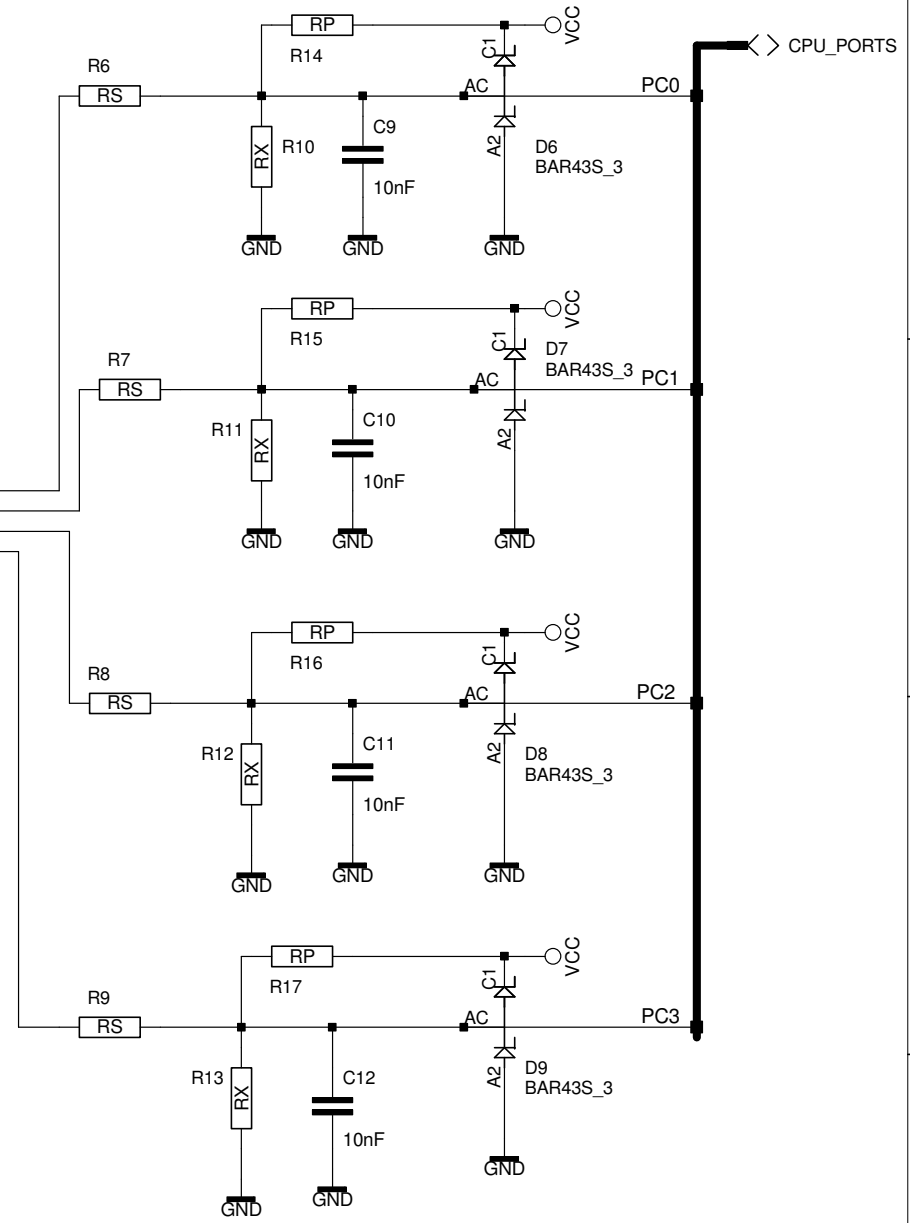
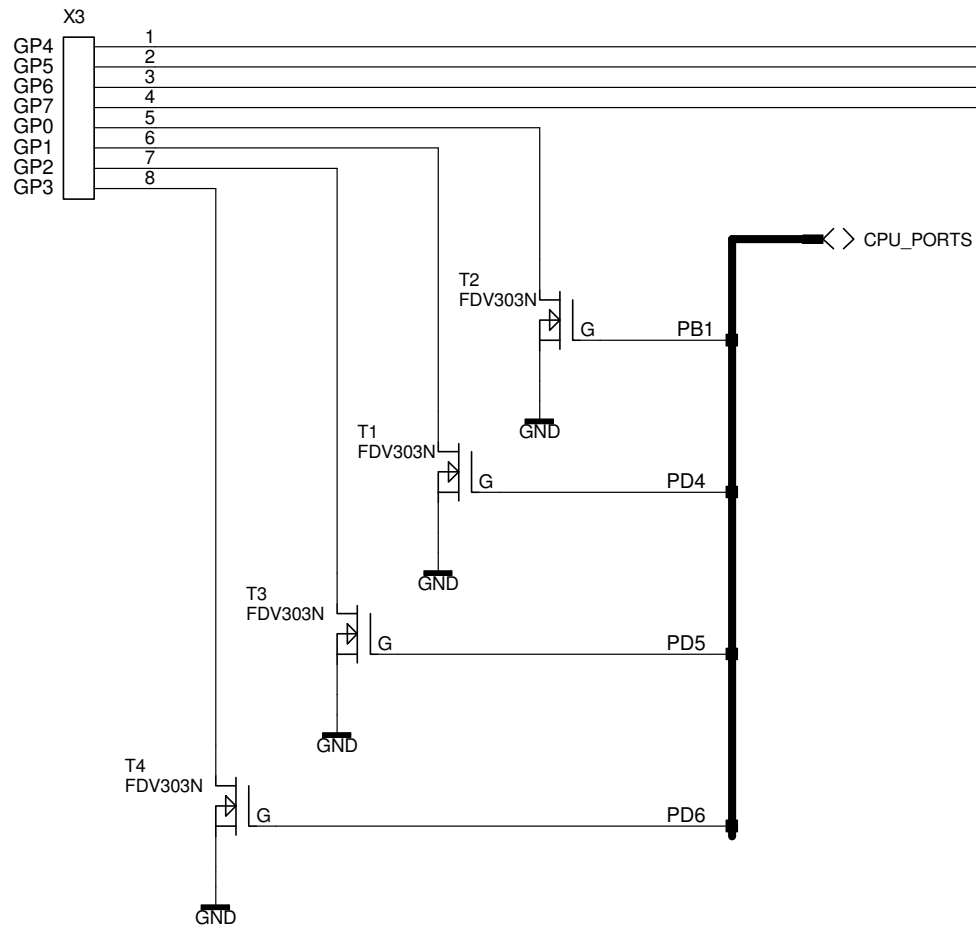
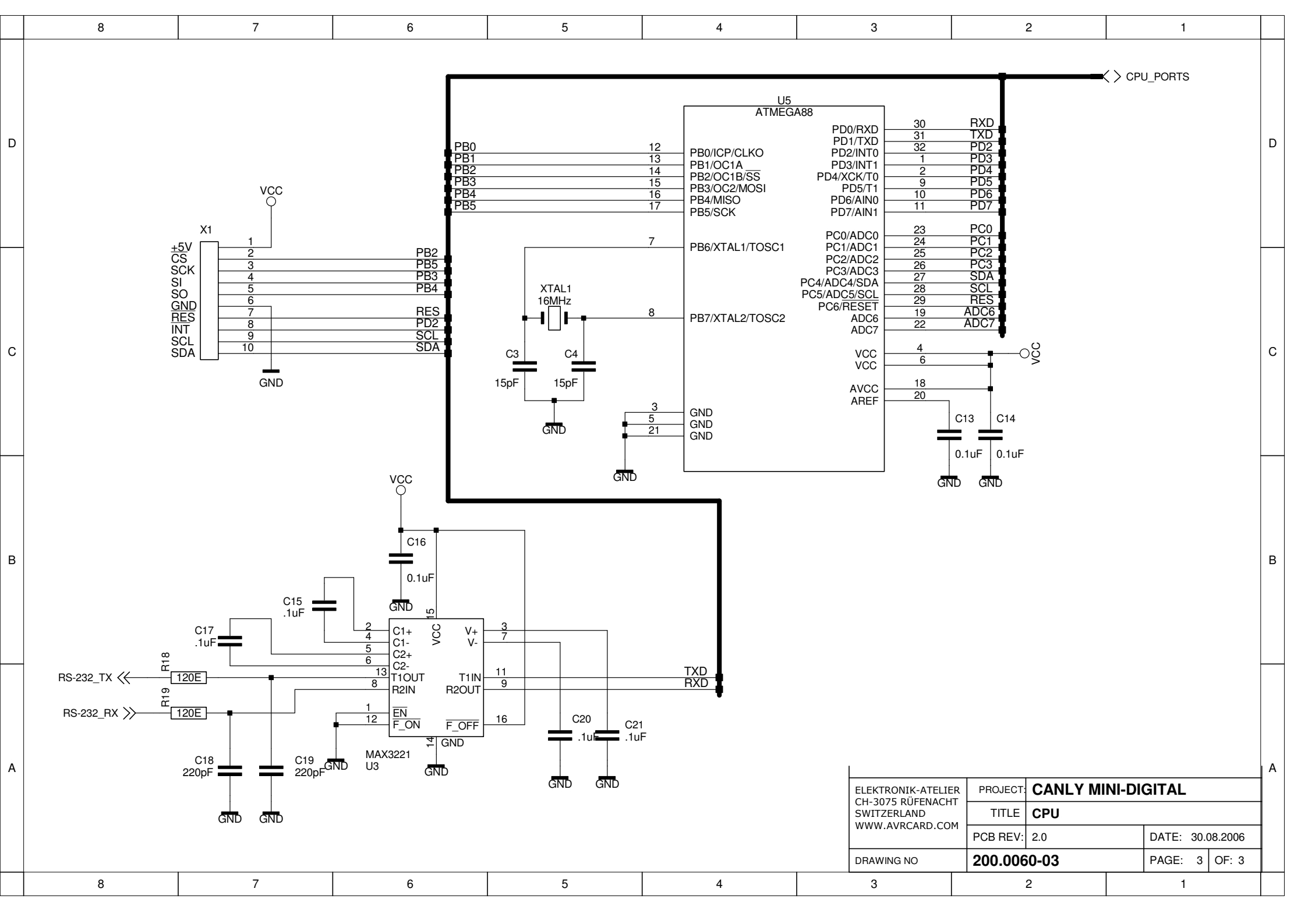


ELEKTRONIK-ATELIER CH-3075 RÜFENACHT SWITZERLAND WWW.AVRCARD.COM	PROJECT:	CANLY MINI-DIGITAL	
	TITLE:	CAN INTERFACE	
PCB REV:	2.0	DATE:	30.08.2006
DRAWING NO	200.0060-01	PAGE:	1 OF 3

24V INPUT: RS=4K7, RX=1K
 RP=OPEN
 12V INPUT: RS=2K2, RX=1K
 RP=OPEN
 SW TO GND: RS=220E, RX=OPEN
 RP=10K



ELEKTRONIK-ATELIER CH-3075 RÜFENACHT SWITZERLAND WWW.AVRCARD.COM	PROJECT:	CANLY MINI-DIGITAL	
	TITLE:	I/O	
PCB REV:	2.0	DATE:	30.08.2006
DRAWING NO	200.0060-02	PAGE:	2 OF 3



ELEKTRONIK-ATELIER CH-3075 RÜFENACHT SWITZERLAND WWW.AVRCARD.COM	PROJECT:	CANLY MINI-DIGITAL	
	TITLE:	CPU	
PCB REV:	2.0	DATE:	30.08.2006
DRAWING NO	200.0060-03		PAGE: 3 OF: 3