

8 7 6 5 4 3 2 1

D

D

C

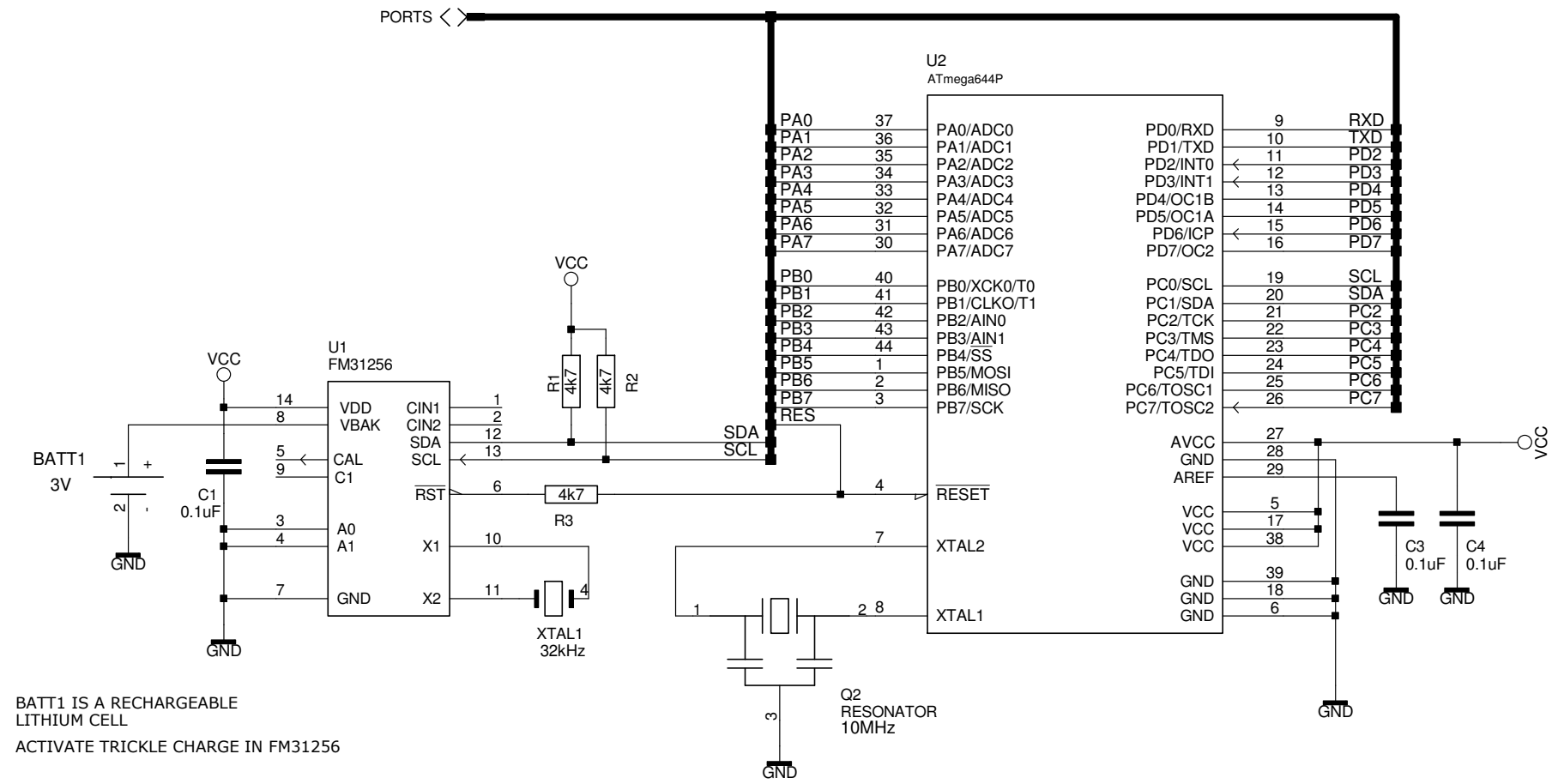
C

B

B

A

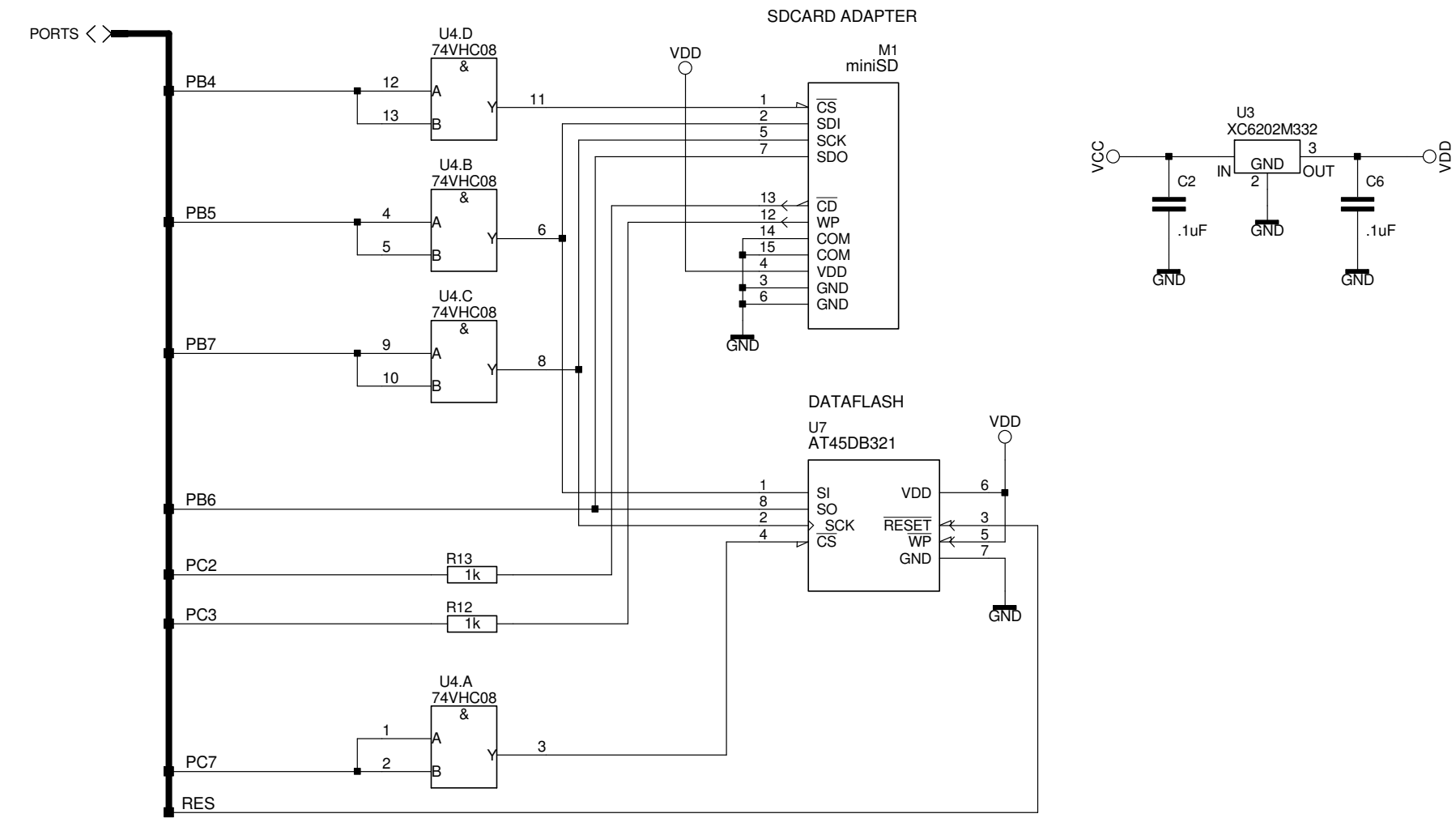
A



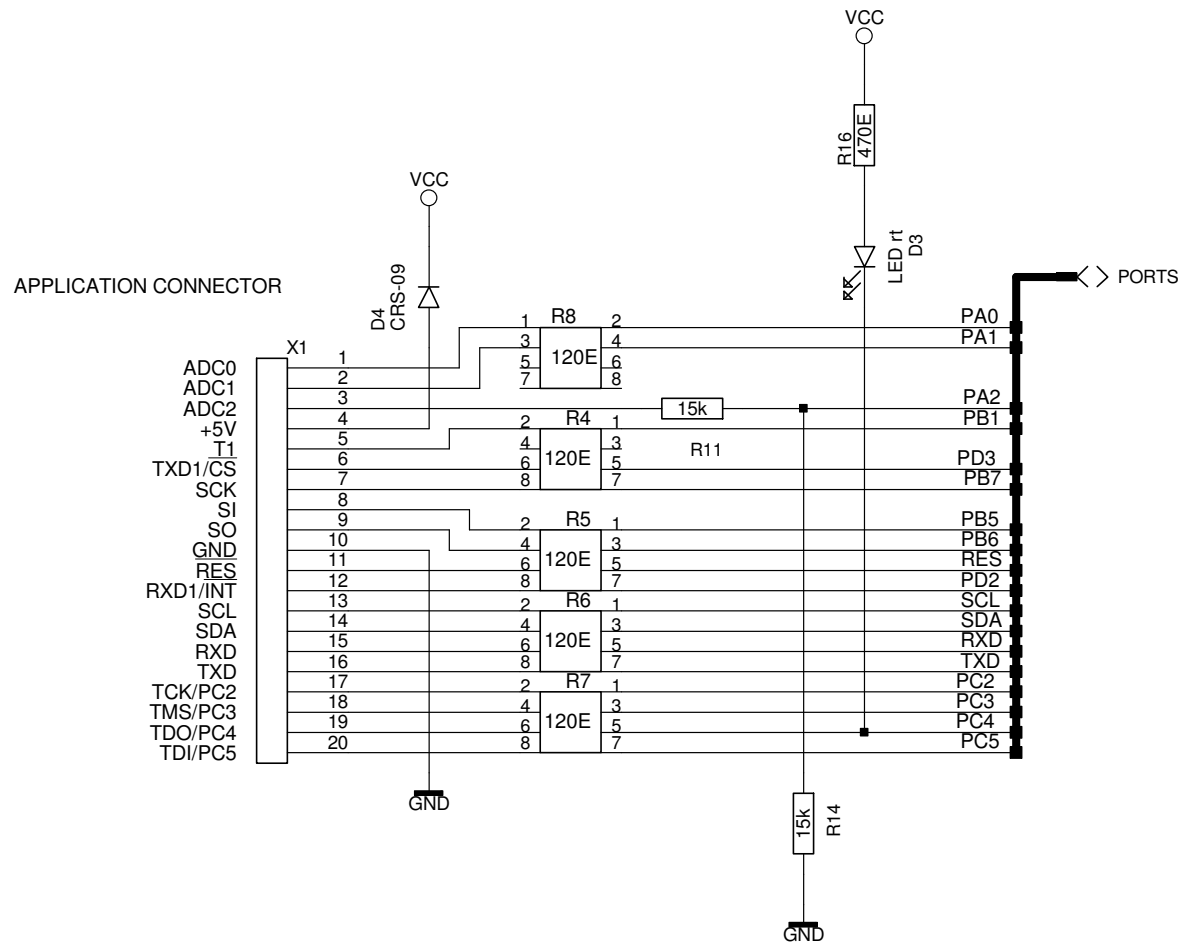
BATT1 IS A RECHARGEABLE LITHIUM CELL
 ACTIVATE TRICKLE CHARGE IN FM31256

ELEKTRONIK-ATELIER CH-3006 BERNE SWITZERLAND	PROJECT:	LOGILOGGER		
	TITLE:	CPU		
WWW.AVRCARD.COM	PCB REV:	1.3	DATE: 04.04.2008	
DRAWING NO	200.0143-01		PAGE: 1	OF: 5

8 7 6 5 4 3 2 1



ELEKTRONIK-ATELIER CH-3006 BERNE SWITZERLAND	PROJECT:	LOGILOGGER		
	TITLE:	STORAGE		
WWW.AVRCARD.COM	PCB REV:	1.3	DATE: 04.04.2008	
DRAWING NO	200.0143-02		PAGE: 2	OF: 5



ELEKTRONIK-ATELIER CH-3006 BERNE SWITZERLAND	PROJECT:	LOGILOGGER		
	TITLE:	INTERFACE		
WWW.AVRCARD.COM	PCB REV:	1.3	DATE: 04.04.2008	
	DRAWING NO	200.0143-04		PAGE: 4 OF: 5

8	7	6	5	4	3	2	1
---	---	---	---	---	---	---	---

D

D

PORT, PIN	ALT. FUNCT.	UNIT	SIGNAL
PA0	ADC0	AUX	AUX_AD0
PA1	ADC1	AUX	AUX_AD1
PA2	ADC2	AUX	AUX_AD2
PA3	ADC3	USB	USB_RXF
PA4	ADC4	USB	DATA4
PA5	ADC5	USB	DATA5
PA6	ADC6	USB	DATA6
PA7	ADC7	USB	DATA7
PB0	XCK0/T0	USB	USB_TXE
PB1	T1/CLKOUT	AUX	AUX_T1
PB2	AIN0	USB	USB_RD
PB3	AIN1	USB	USB_WR
PB4	SS	SDCARD	SD SELECT
PB5	MOSI	AUX/DF/SD	MOSI
PB6	MISO	AUX/DF/SD	MISO
PB7	SCK	AUX/DF/SD	SCK
PC0	SCL	I2C BUS	SCL
PC1	SDA	I2C BUS	SDA
PC2	TCK	AUX/JTAG	AUX_4
PC3	TMS	AUX/JTAG	AUX_5
PC4	TDO	AUX/JTAG	AUX_6
PC5	TDI	AUX/JTAG	AUX_7
PC6	OSC1	USB	USB_PWREN
PC7	OSC2	DATAFLASH	DF SELECT
PD0	RXD	AUX	AUX_RXD
PD1	TXD	AUX	AUX_TXD
PD2	INT0/RXD1	AUX	AUX_RXD1
PD3	INT1/TXD1	AUX	AUX_TXD1
PD4	OC1B	USB	DATA0
PD5	OC1A	USB	DATA1
PD6	ICP	USB	DATA2
PD7	OC2	USB	DATA3

C

C

B

B

SDCARD SD_CD NOTE: DEACTIVATE JTAG WHEN USING AUX_2...5 AS I/O
SDCARD SD_WP

A

A

ELEKTRONIK-ATELIER CH-3006 BERNE SWITZERLAND	PROJECT:	LOGILOGGER		
	TITLE:	PORT ASSIGNMENTS		
WWW.AVRCARD.COM	PCB REV:	1.3	DATE: 04.04.2008	
DRAWING NO	200.0143-05		PAGE: 5	OF: 5

8	7	6	5	4	3	2	1
---	---	---	---	---	---	---	---