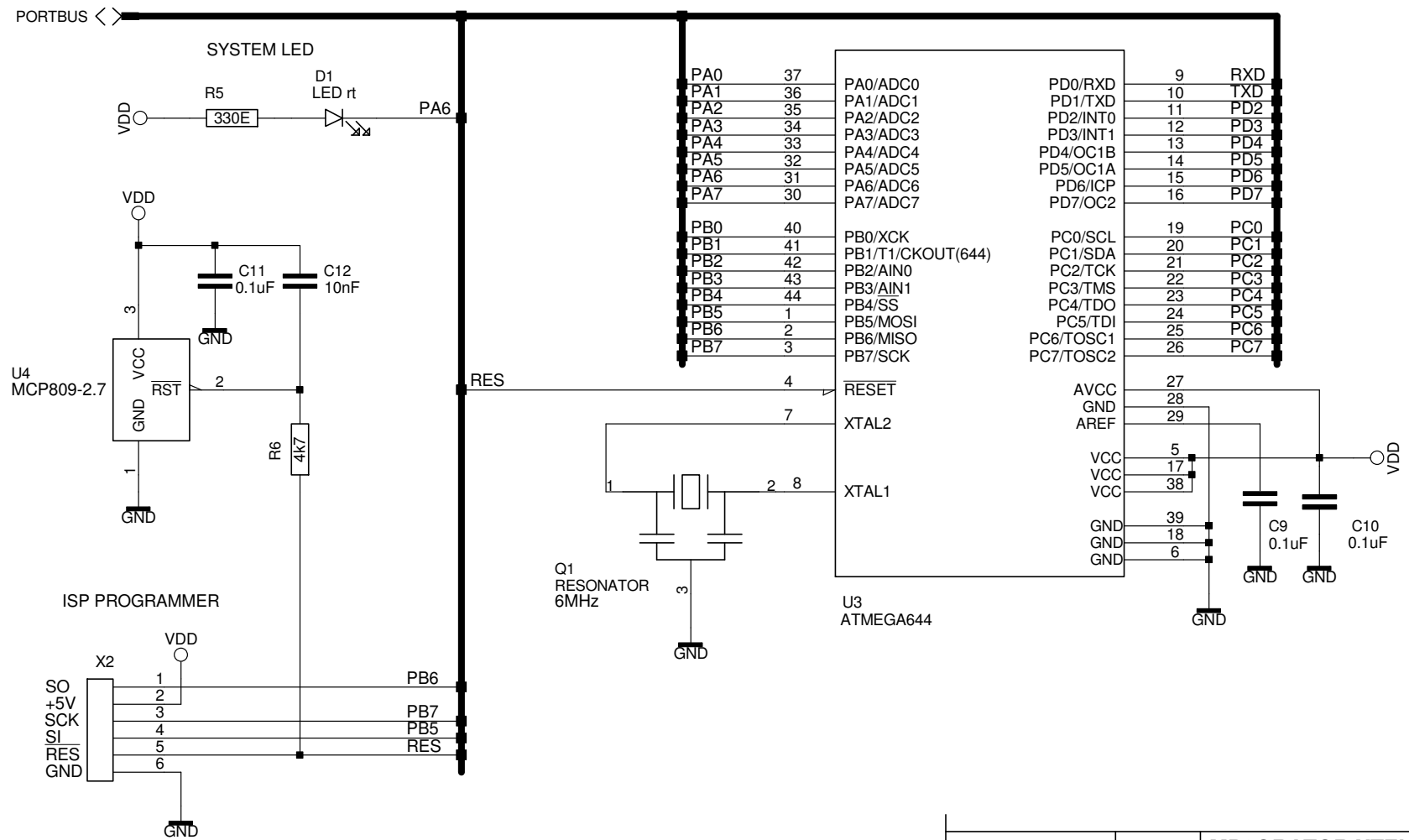
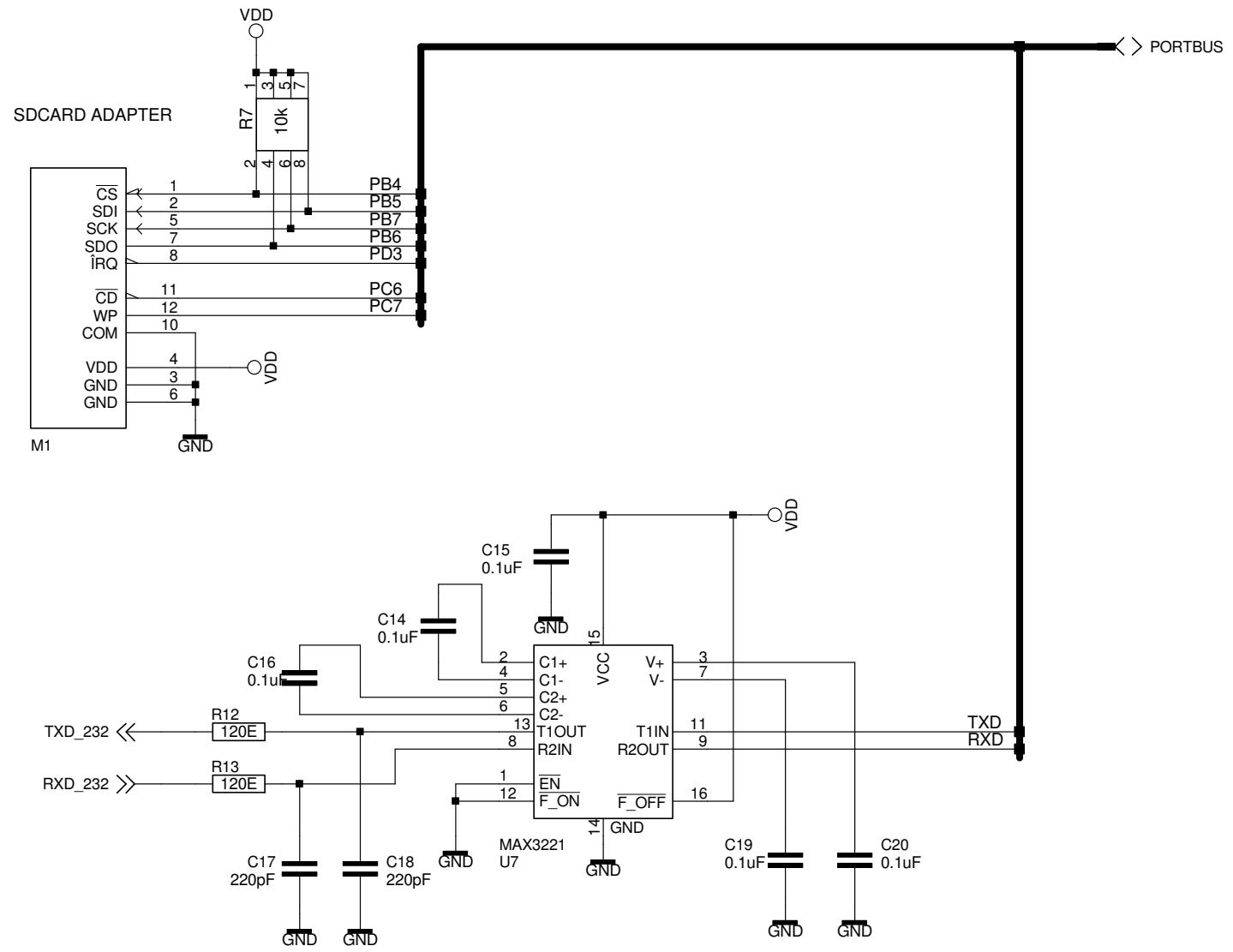


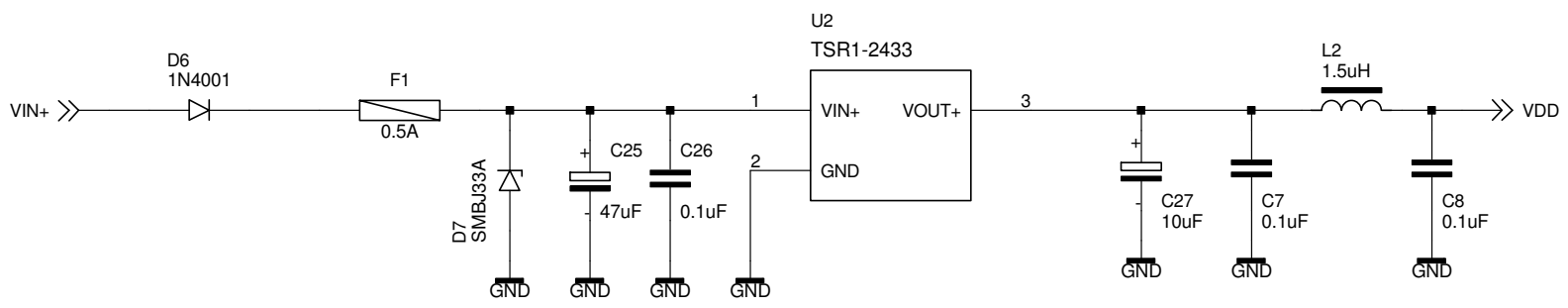
ELEKTRONIK-ATELIER CH-3075 RÜFENACHT SWITZERLAND WWW.AVRCARD.COM	PROJECT:	MP3ORATOR/XTEND	
	TITLE:	DECODER	
PCB REV:	1.1	DATE:	06.04.2009
DRAWING NO	200.0084-01		PAGE: 1 OF: 3



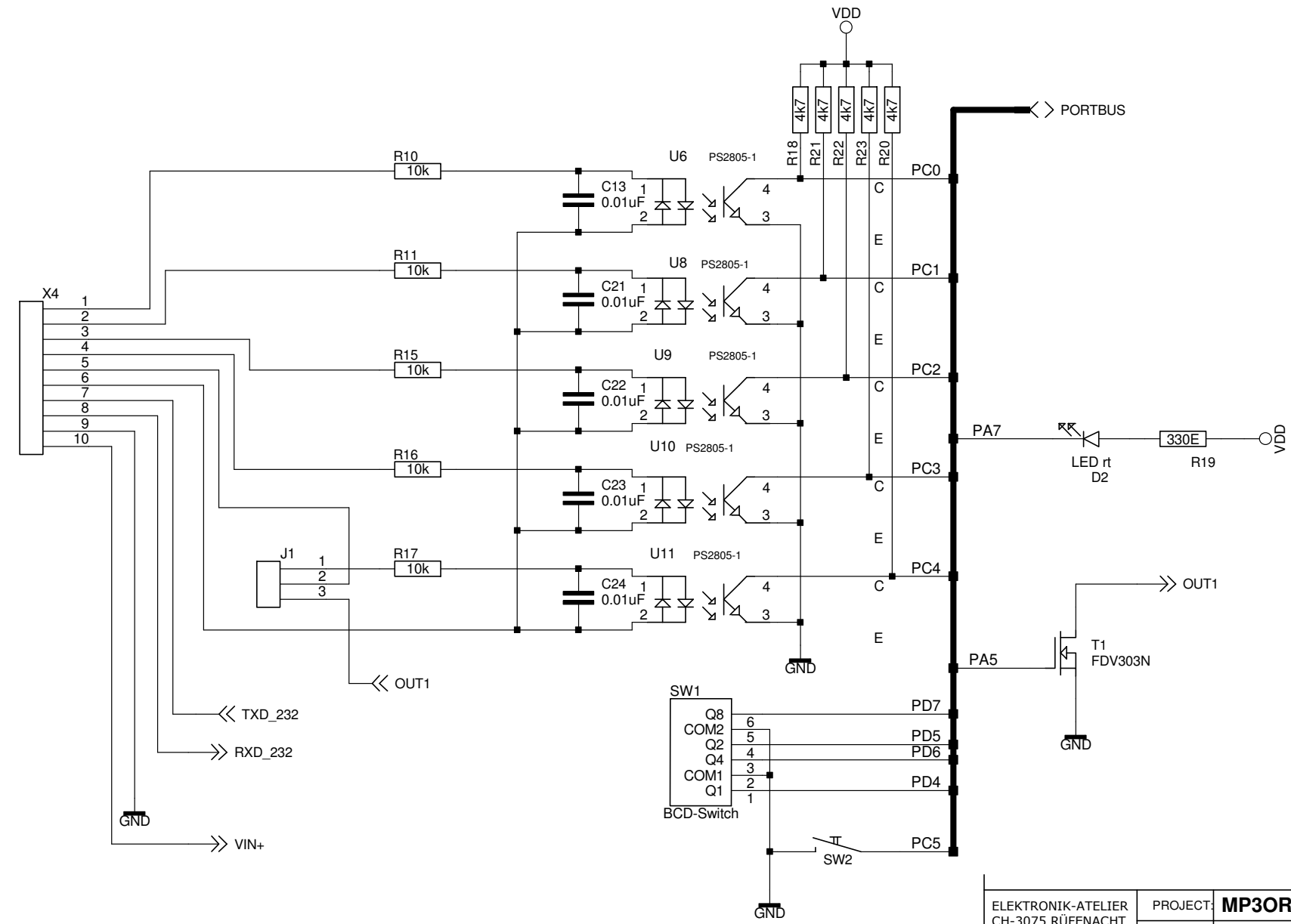
ELEKTRONIK-ATELIER CH-3075 RÜFENACHT SWITZERLAND WWW.AVRCARD.COM	PROJECT:	MP3ORATOR/XTEND	
	TITLE:	CPU	
PCB REV:	1.1	DATE:	06.04.2009
DRAWING NO	200.0084-02	PAGE:	2 OF: 6



ELEKTRONIK-ATELIER CH-3075 RÜFENACHT SWITZERLAND WWW.AVRCARD.COM	PROJECT:	MP3 ORATOR/XTEND	
	TITLE:	INTERFACES	
PCB REV:	1.1	DATE:	06.04.2009
DRAWING NO	200.0084-03		PAGE: 3 OF: 6



ELEKTRONIK-ATELIER CH-3075 RÜFENACHT SWITZERLAND WWW.AVRCARD.COM	PROJECT:	MP3ORATOR/XTEND	
	TITLE:	POWER SUPPLY	
	PCB REV:	1.1	DATE: 06.04.2009
DRAWING NO	200.0084-04		PAGE: 4 OF: 6



ELEKTRONIK-ATELIER CH-3075 RÜFENACHT SWITZERLAND WWW.AVRCARD.COM	PROJECT:	MP3ORATOR/XTEND	
	TITLE:	INPUT/OUTPUT	
PCB REV:	1.1	DATE:	06.04.2009
DRAWING NO	200.0084-05		PAGE: 5 OF: 6

8	7	6	5	4	3	2	1
---	---	---	---	---	---	---	---

D

D

C

C

B

B

A

A

PORT, PIN	ALT. FUNCT.	UNIT	SIGNAL
PA0	ADC0		
PA1	ADC1		
PA2	ADC2		
PA3	ADC3		
PA4	ADC4		
PA5	ADC5	OUTPUT	OUT1
PA6	ADC6	SYS LED	
PA7	ADC7	I/O LED	
PB0	XCK	VS1011	CS
PB1	T1/CLKOUT	VS1011	DCS
PB2	AIN0	VS1011	RESET
PB3	AIN1	AUD_SW	
PB4	SS	VS1011/SD	
PB5	MOSI	VS1011/SD	
PB6	MISO	VS1011/SD	
PB7	SCK	VS1011/SD	
PC0	SCL	INPUTS	IN1
PC1	SDA	INPUTS	IN2
PC2	TCK	INPUTS	IN3
PC3	TMS	INPUTS	IN4
PC4	TDO	INPUTS	IN5
PC5	TDI	PROG_SW	
PC6	OSC1	SDCARD	CD
PC7	OSC2	SDCARD	WP
PD0	RXD	RS-232	RXD
PD1	TXD	RS-232	TXD
PD2	INT0	VS1011	DREQ
PD3	INT1	SDCARD	INT
PD4	OC1B	BCD-SW	SW 0
PD5	OC1A	BCD-SW	SW 1
PD6	ICP	BCD-SW	SW 2
PD7	OC2	BCD-SW	SW 3

NOTE: DEACTIVATE JTAG

ELEKTRONIK-ATELIER CH-3075 RÜFENACHT SWITZERLAND WWW.AVRCARD.COM	PROJECT:	MP3ORATOR/XTEND		
	TITLE:	PORT ASSIGNMENTS		
	PCB REV:	1.1	DATE: 06.04.2009	
DRAWING NO	200.0084-06		PAGE: 6	OF: 6

8	7	6	5	4	3	2	1
---	---	---	---	---	---	---	---