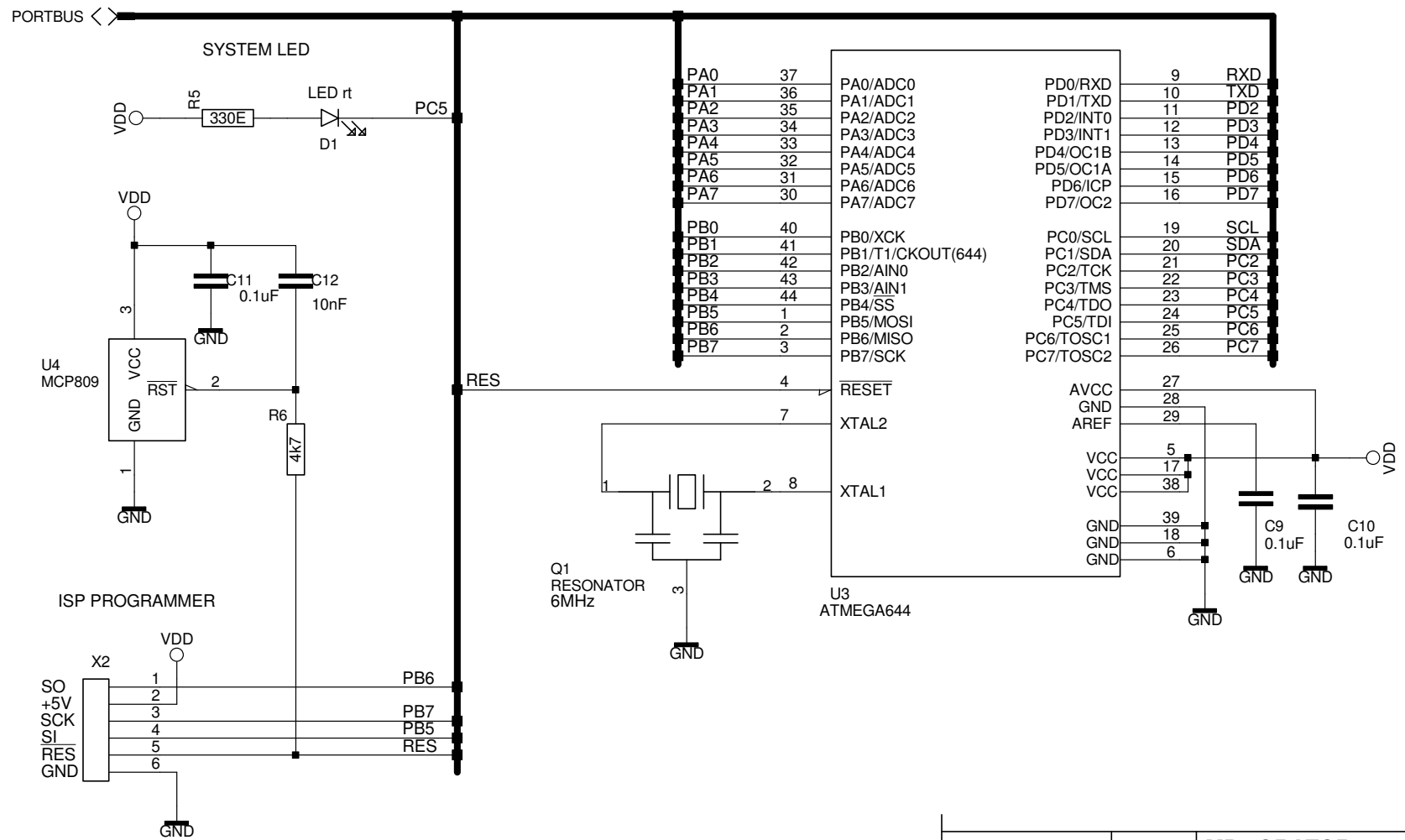
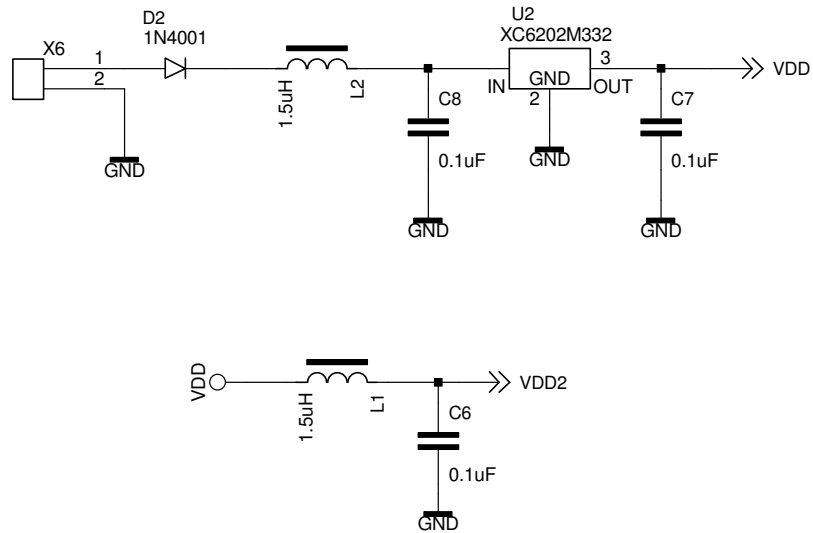


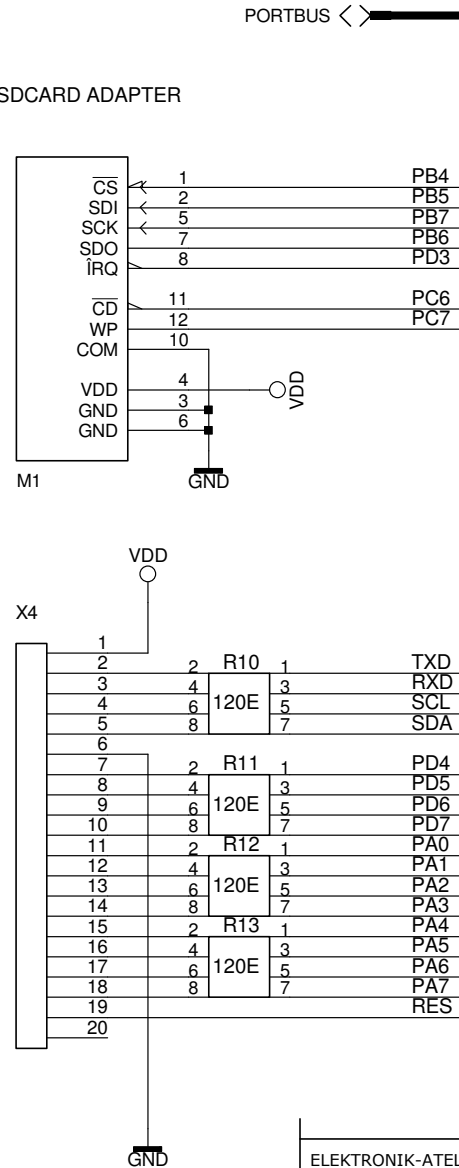
ELEKTRONIK-ATELIER CH-3075 RÜFENACHT SWITZERLAND WWW.AVRCARD.COM	PROJECT:	MP3 ORATOR	
	TITLE:	DECODER	
PCB REV:	1.0	DATE:	24.08.2006
DRAWING NO	200.0058-01	PAGE:	1 OF: 3



ELEKTRONIK-ATELIER CH-3075 RÜFENACHT SWITZERLAND WWW.AVRCARD.COM	PROJECT:	MP3 ORATOR	
	TITLE:	CPU	
PCB REV:	1.0	DATE:	24.08.2006
DRAWING NO	200.0058-02		PAGE: 2 OF: 3



SDCARD ADAPTER



ELEKTRONIK-ATELIER CH-3075 RÜFENACHT SWITZERLAND WWW.AVRCARD.COM	PROJECT:	MP3 ORATOR	
	TITLE:	INTERFACES	
PCB REV:	1.0	DATE:	24.08.2006
DRAWING NO	200.0058-03		PAGE: 3 OF: 3