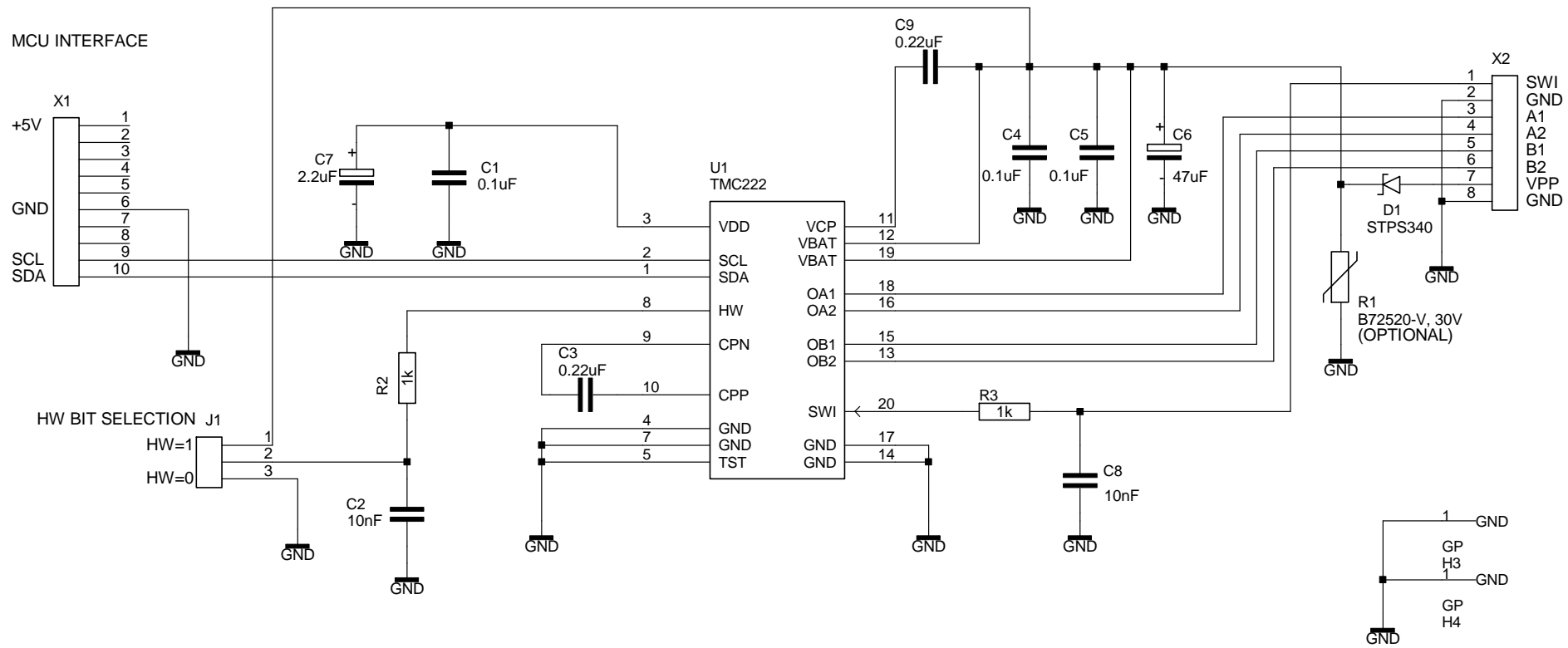


8 7 6 5 4 3 2 1

MCU INTERFACE



| | | | |
|---|--------------------|---------------------------------|------------|
| ELEKTRONIK-ATELIER CH-3006 BERNE SWITZERLAND WWW.AVRCARD.COM | PROJECT: | STEPPER MOTOR CONTROLLER | |
| | TITLE: | MAIN | |
| PCB REV: | 1.1A | DATE: | 09.01.2008 |
| DRAWING NO | 200.0015-01 | PAGE: | 1 OF: 1 |

8 7 6 5 4 3 2 1