

D

C

B

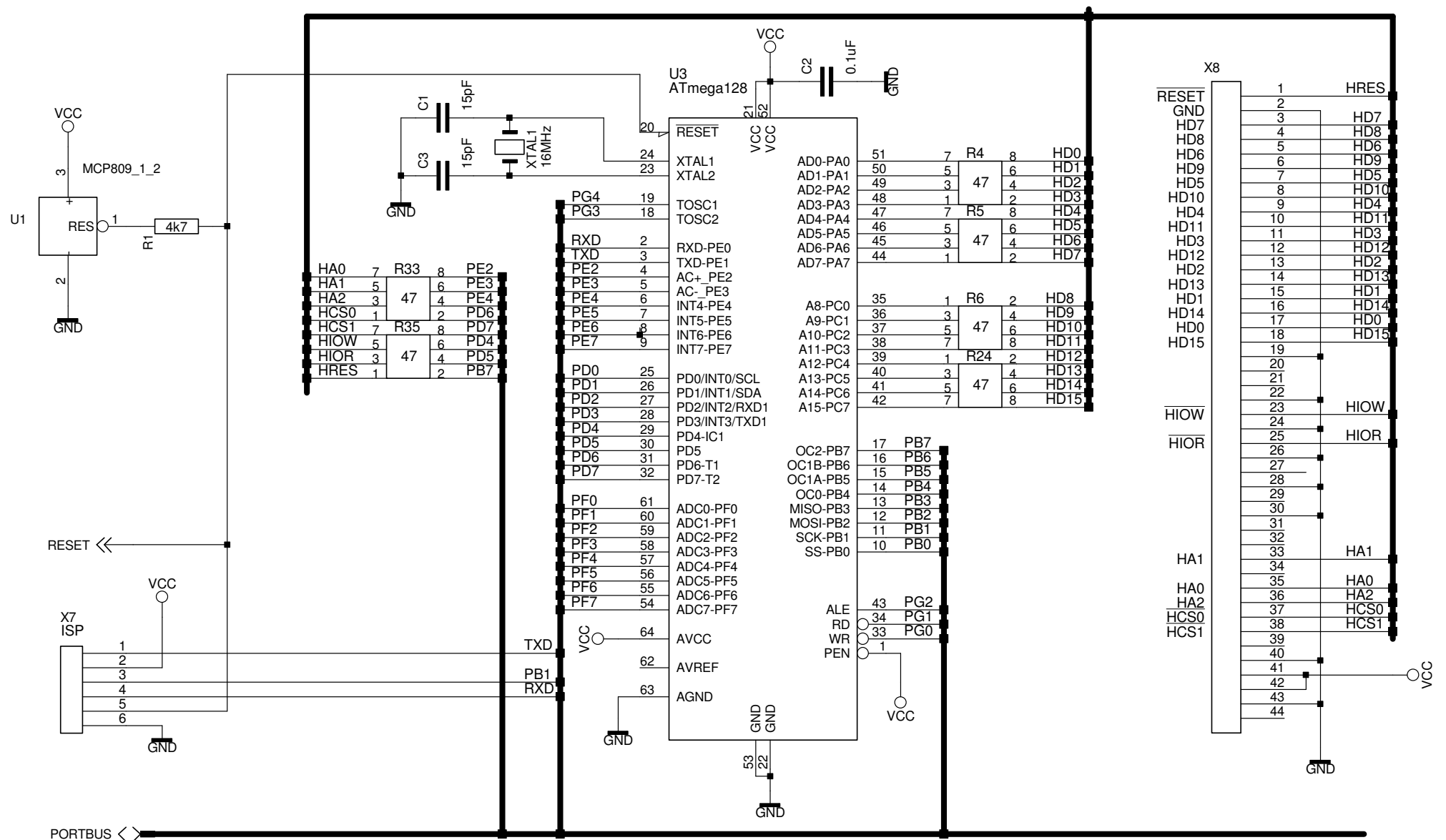
A

D

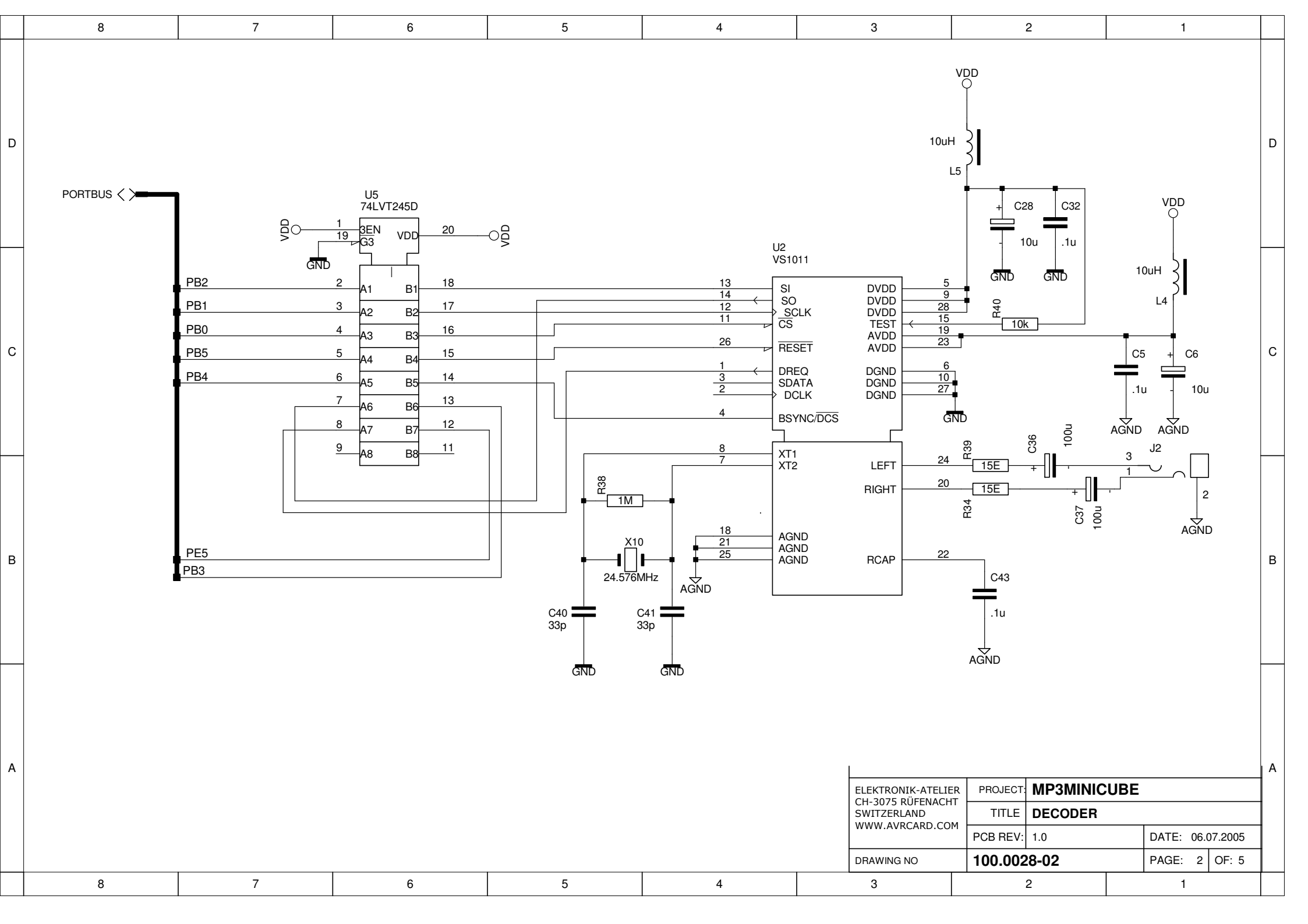
C

B

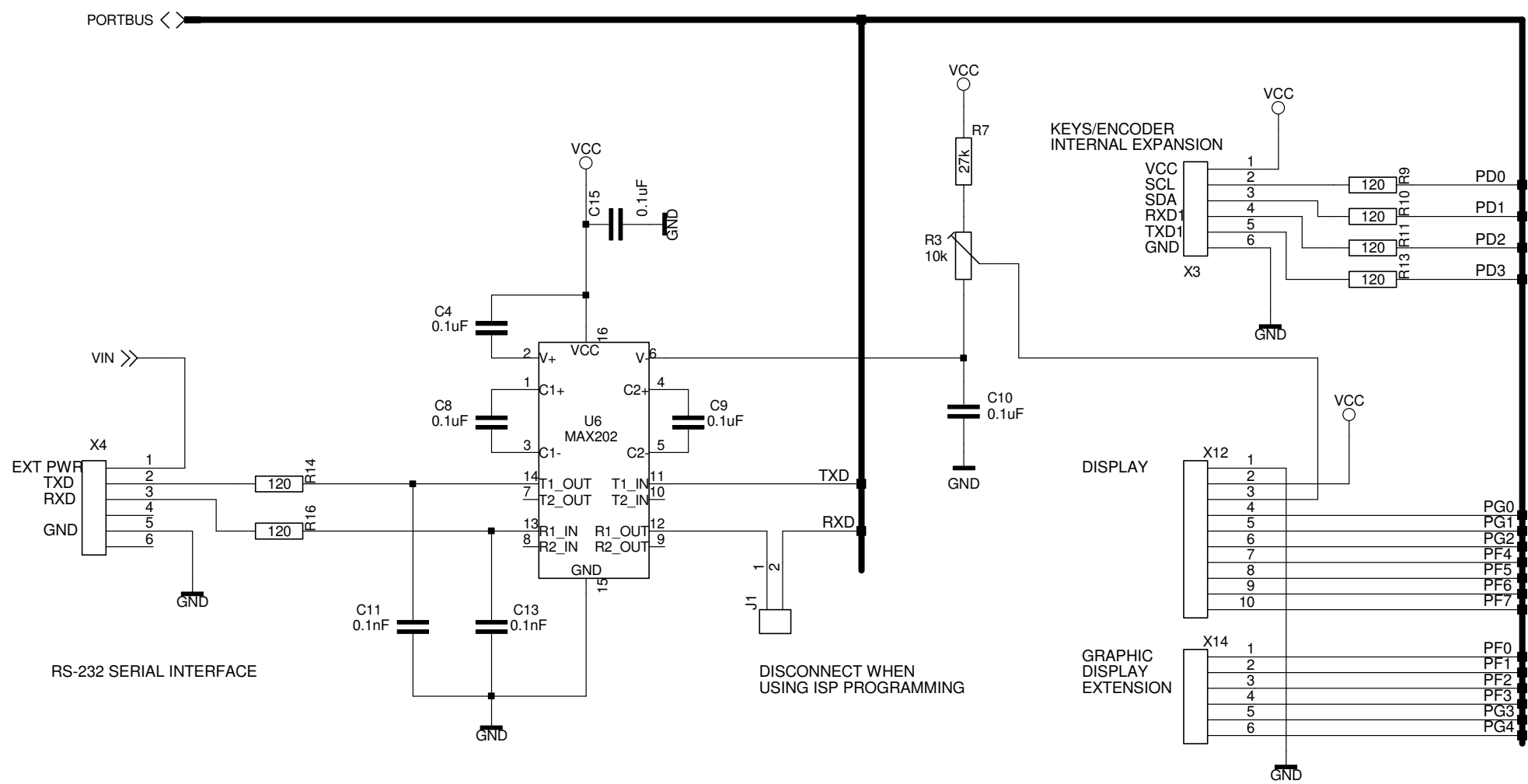
A



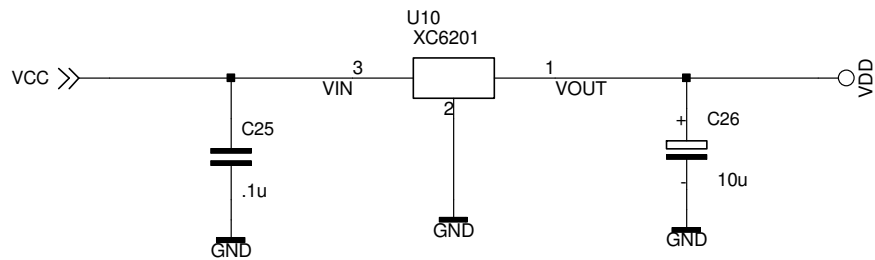
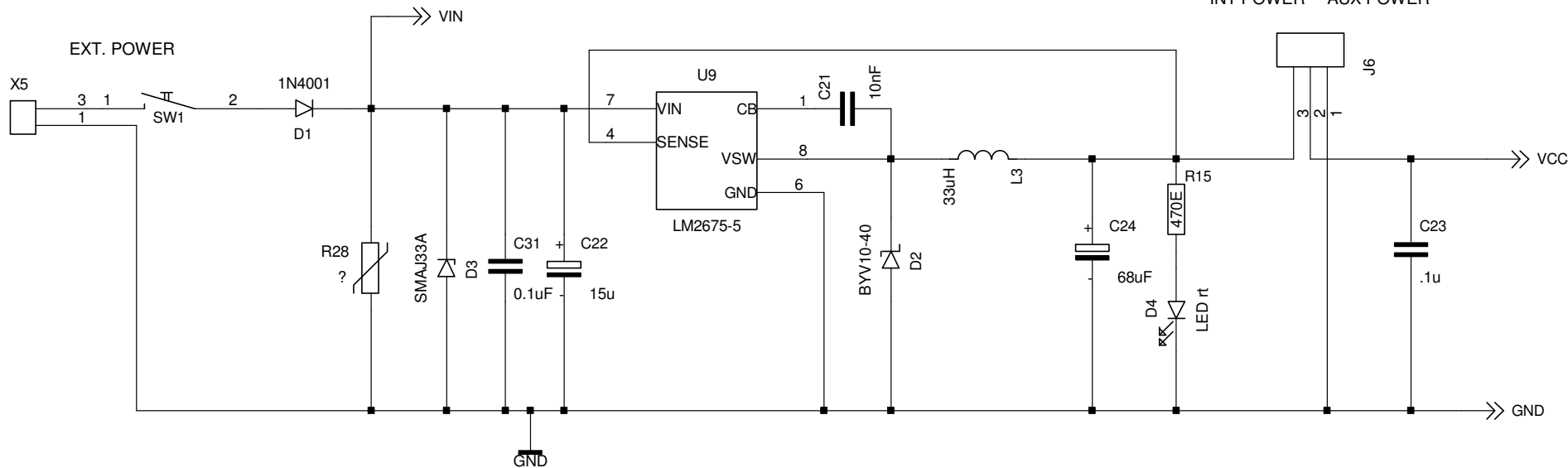
|   |                    |                    |                  |
|---|--------------------|--------------------|------------------|
| ELEKTRONIK-ATELIER<br>CH-3075 RÜFENACHT<br>SWITZERLAND<br>WWW.AVRCARD.COM | PROJECT:           | <b>MP3MINICUBE</b> |                  |
|   | TITLE:             | <b>CPU</b>         |                  |
| DRAWING NO  | PCB REV:           | 1.0                | DATE: 06.07.2005 |
|   | <b>100.0028-01</b> |                    | PAGE: 1 OF: 5    |



|   |                    |                    |               |
|---|--------------------|--------------------|---------------|
| ELEKTRONIK-ATELIER<br>CH-3075 RÜFENACHT<br>SWITZERLAND<br>WWW.AVRCARD.COM | PROJECT:           | <b>MP3MINICUBE</b> |               |
|   | TITLE:             | <b>DECODER</b>     |               |
| PCB REV:  | 1.0                | DATE:              | 06.07.2005    |
| DRAWING NO  | <b>100.0028-02</b> |                    | PAGE: 2 OF: 5 |



|   |                    |                    |            |
|---|--------------------|--------------------|------------|
| ELEKTRONIK-ATELIER<br>CH-3075 RÜFENACHT<br>SWITZERLAND<br>WWW.AVRCARD.COM | PROJECT:           | <b>MP3MINICUBE</b> |            |
|   | TITLE:             | <b>INTERFACES</b>  |            |
| PCB REV:  | 1.0                | DATE:              | 06.07.2005 |
| DRAWING NO  | <b>100.0028-03</b> | PAGE:              | 3 OF: 5    |



ELEKTRONIK-ATELIER  
CH-3075 RÜFENACHT  
SWITZERLAND  
WWW.AVRCARD.COM

PROJECT: **MP3MINICUBE**

TITLE: **POWER SUPPLY**

PCB REV: 1.0

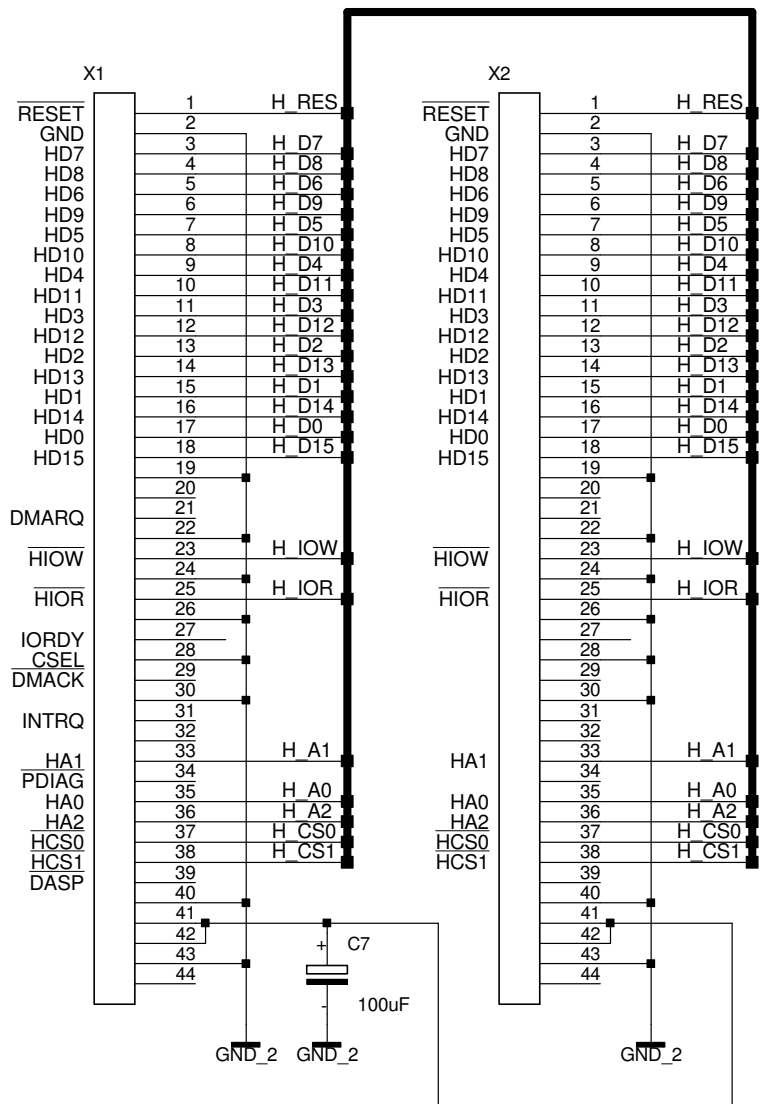
DATE: 06.07.2005

DRAWING NO

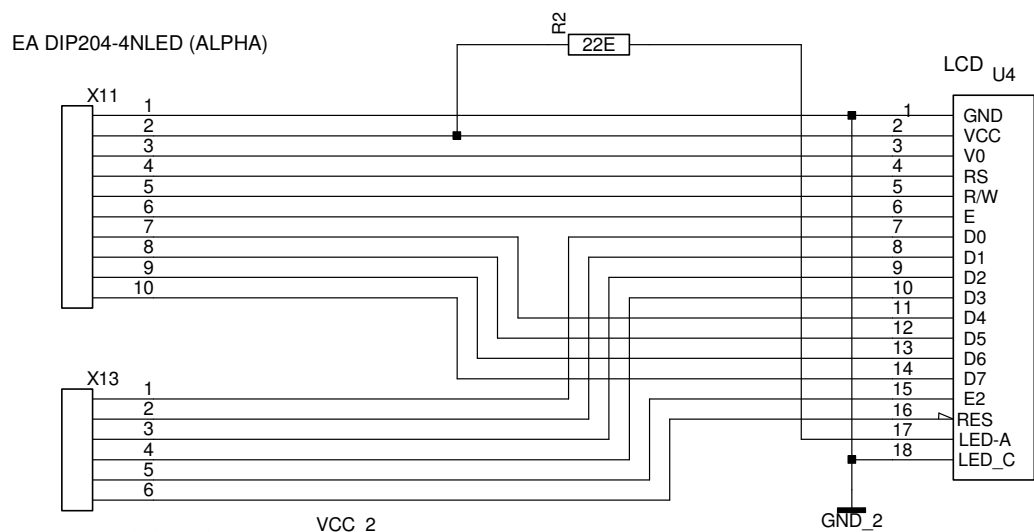
**100.0028-04**

PAGE: 4 OF: 5

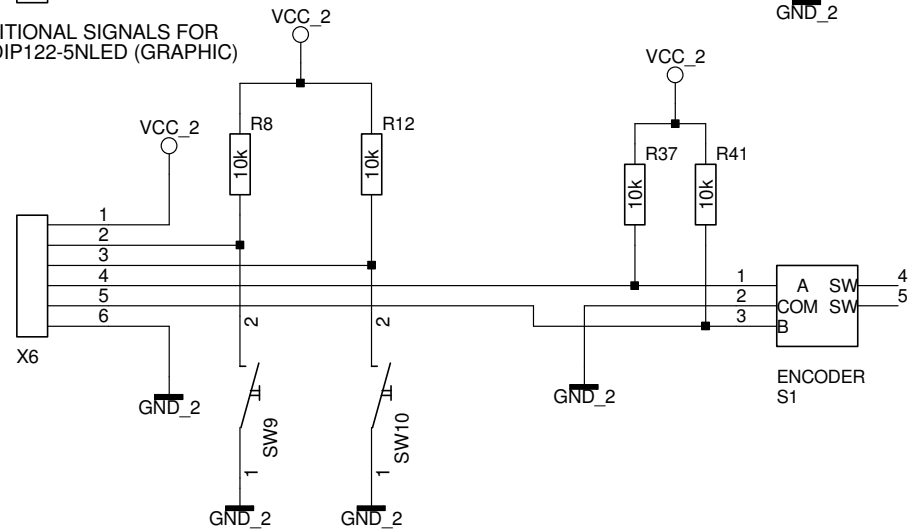
IDE DISK INTERFACE



EA DIP204-4NLED (ALPHA)



ADDITIONAL SIGNALS FOR EA DIP122-5NLED (GRAPHIC)



|   |                    |                    |            |         |
|---|--------------------|--------------------|------------|---------|
| ELEKTRONIK-ATELIER<br>CH-3075 RÜFENACHT<br>SWITZERLAND<br>WWW.AVRCARD.COM | PROJECT:           | <b>MP3MINICUBE</b> |            |         |
|   | TITLE:             | <b>DISPLAY</b>     |            |         |
| PCB REV:  | 1.0                | DATE:              | 06.07.2005 |         |
| DRAWING NO  | <b>100.0028-05</b> |                    | PAGE:      | 5 OF: 5 |