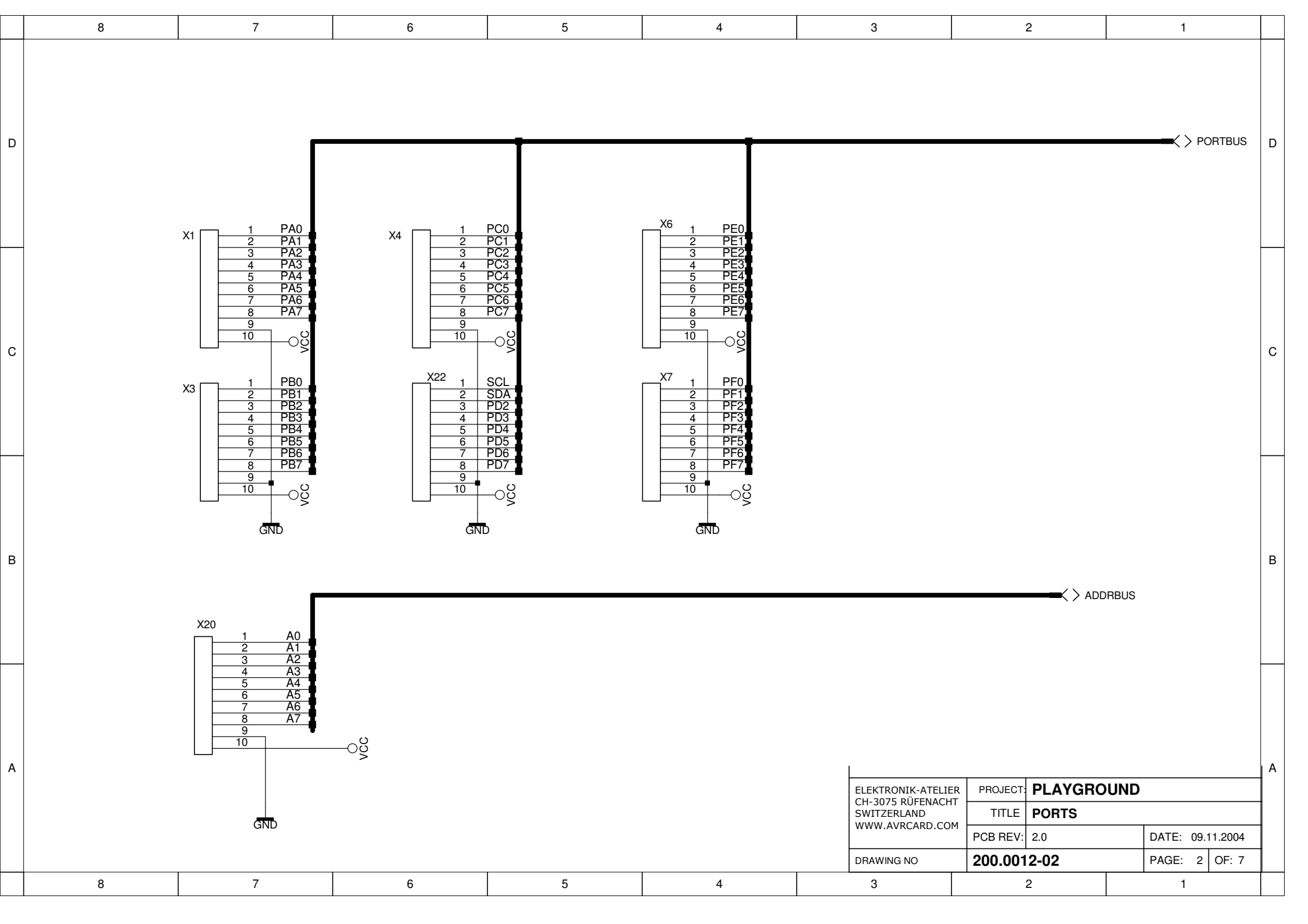
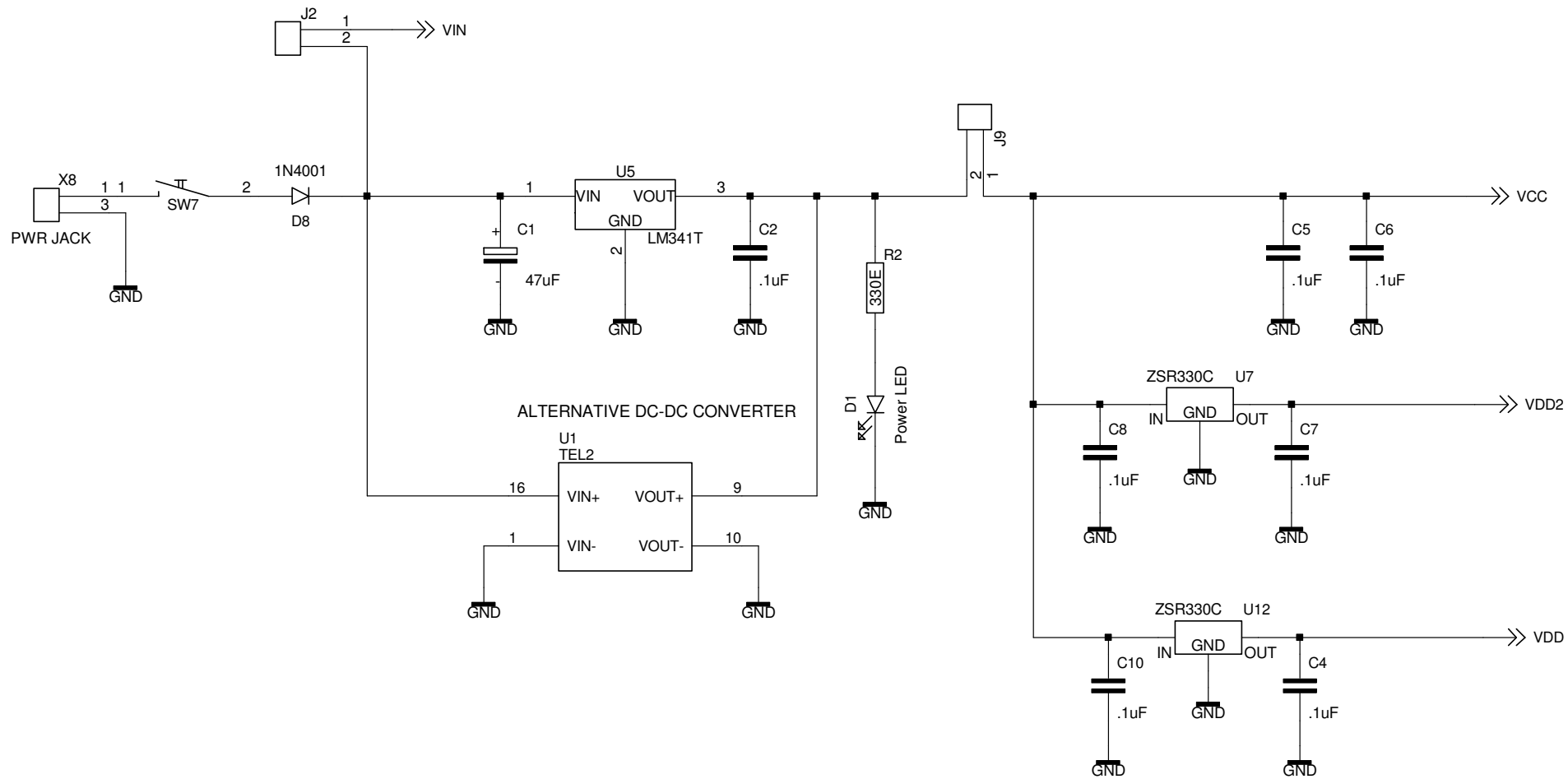


ELEKTRONIK-ATELIER CH-3075 RÜFENACHT SWITZERLAND WWW.AVRCARD.COM	PROJECT:	PLAYGROUND	
	TITLE:	CPU	
PCB REV:	2.0	DATE:	09.11.2004
DRAWING NO	200.0012-01	PAGE:	1 OF: 7



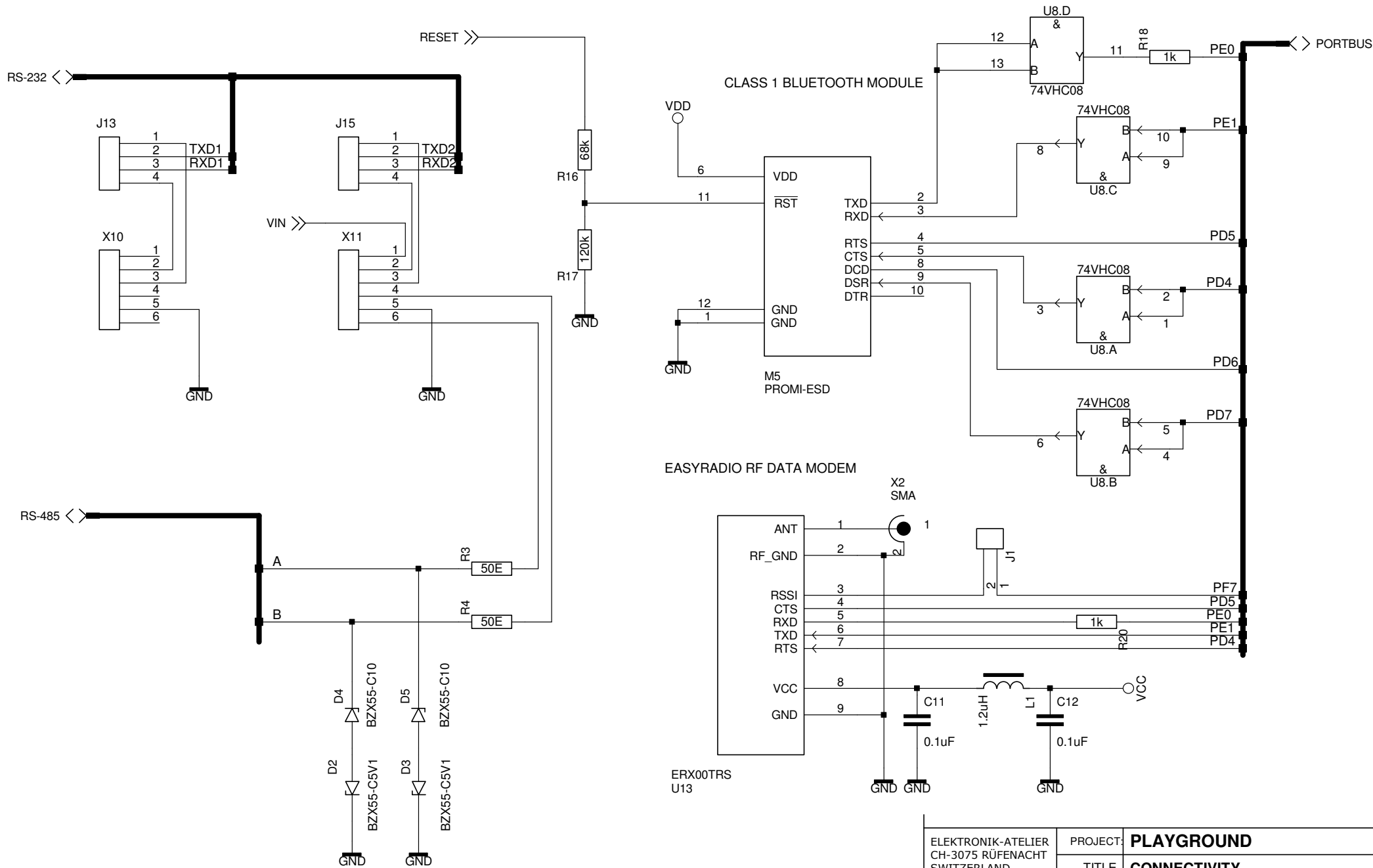
ELEKTRONIK-ATELIER
 CH-3075 RÜFENACHT
 SWITZERLAND
 WWW.AVRCARD.COM

PROJECT:	PLAYGROUND		
TITLE:	PORTS		
PCB REV:	2.0	DATE:	09.11.2004
DRAWING NO	200.0012-02		PAGE: 2 OF: 7

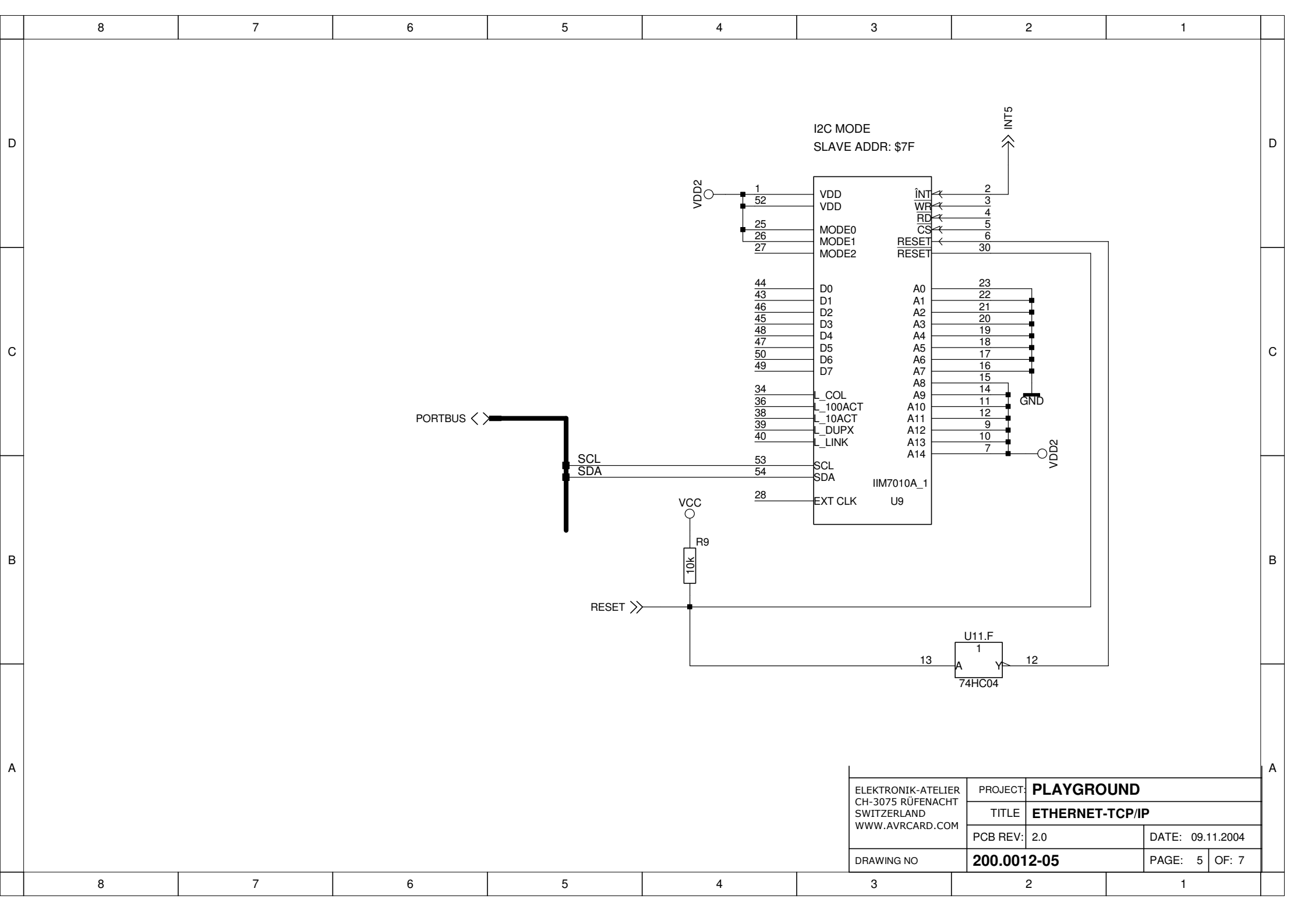


ELEKTRONIK-ATELIER
 CH-3075 RÜFENACHT
 SWITZERLAND
 WWW.AVRCARD.COM

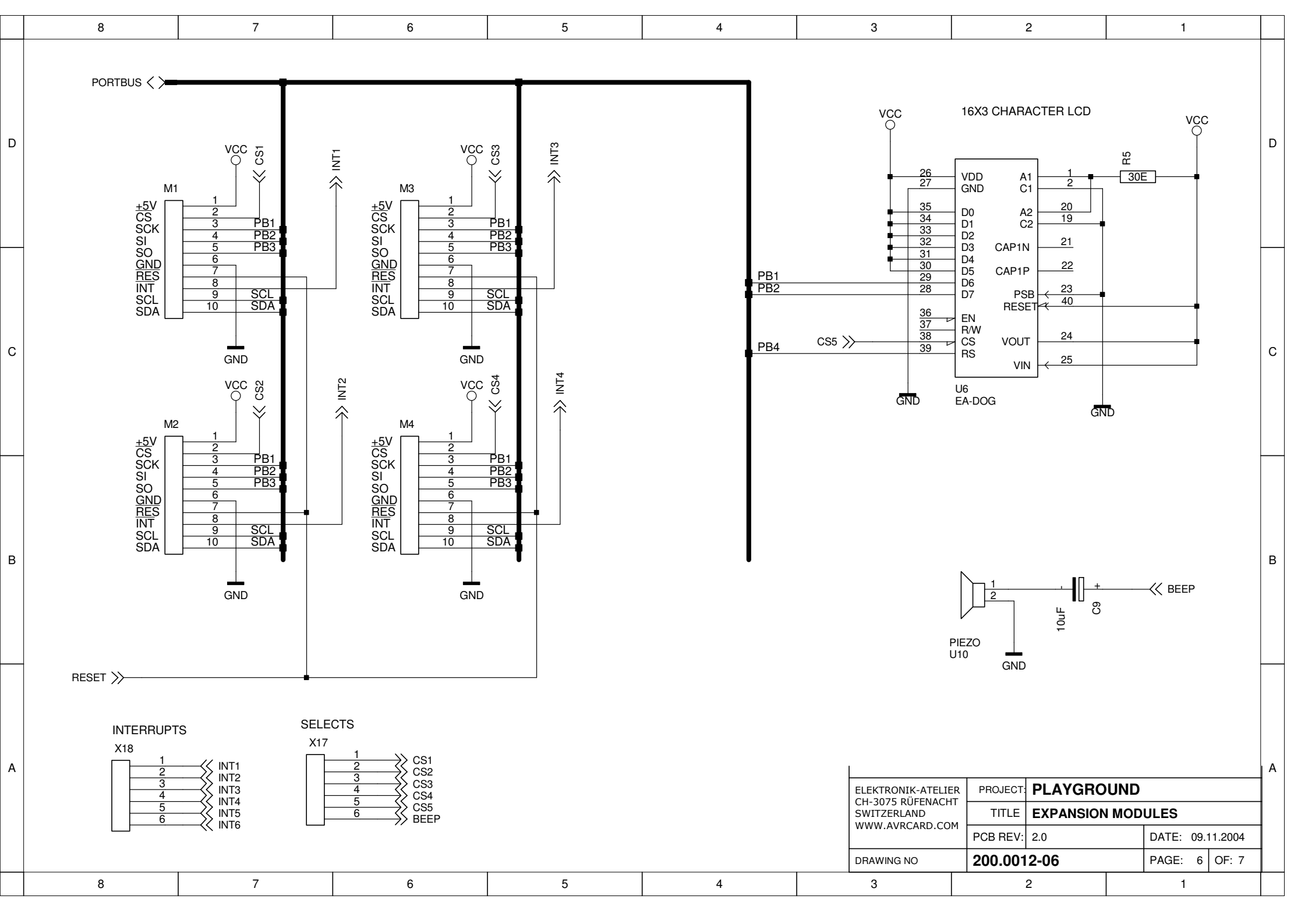
PROJECT:	PLAYGROUND		
TITLE:	POWER SUPPLY		
PCB REV:	2.0	DATE:	09.11.2004
DRAWING NO	200.0012-03	PAGE:	3 OF: 7



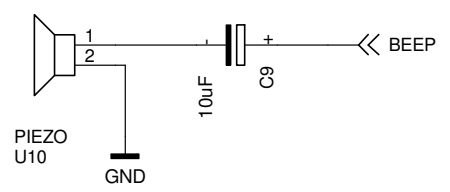
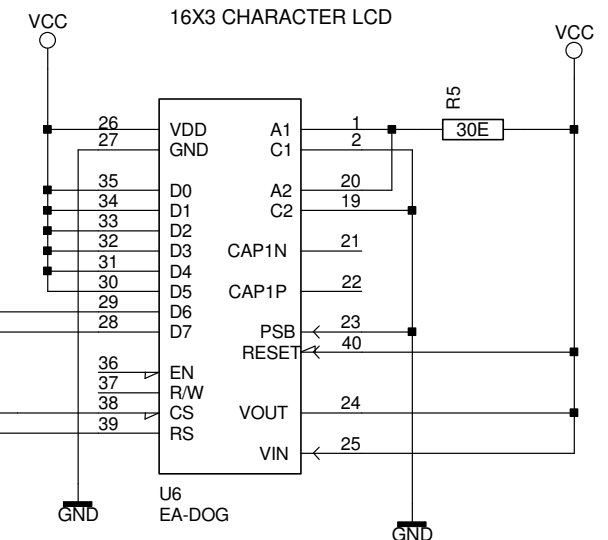
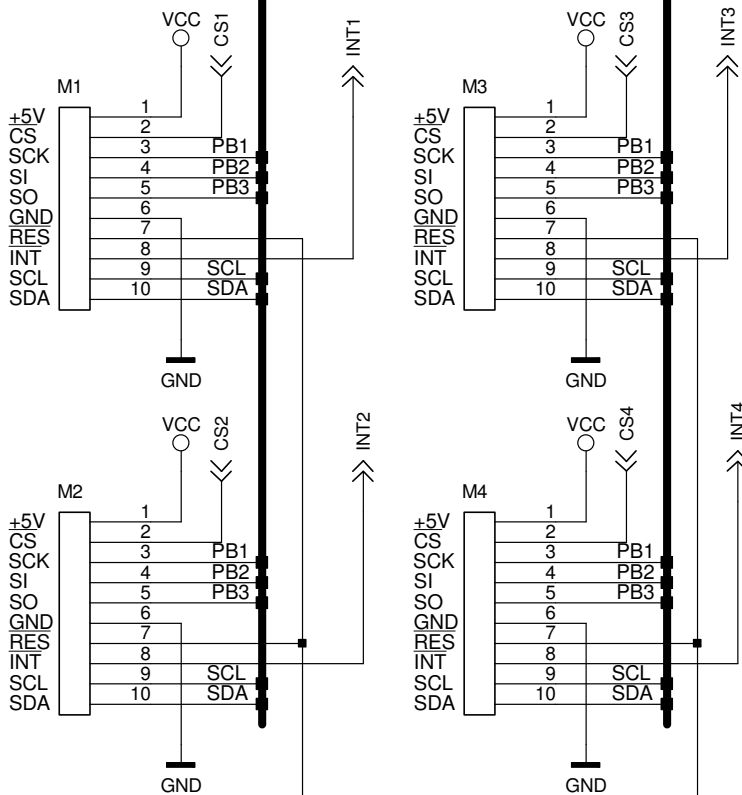
ELEKTRONIK-ATELIER CH-3075 RÜFENACHT SWITZERLAND WWW.AVRCARD.COM	PROJECT:	PLAYGROUND		
	TITLE:	CONNECTIVITY		
PCB REV:	2.0	DATE:	09.11.2004	
DRAWING NO	200.0012-04	PAGE:	4	OF: 7



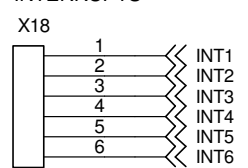
ELEKTRONIK-ATELIER CH-3075 RÜFENACHT SWITZERLAND WWW.AVRCARD.COM	PROJECT:	PLAYGROUND	
	TITLE:	ETHERNET-TCP/IP	
DRAWING NO	PCB REV:	2.0	DATE: 09.11.2004
	200.0012-05	PAGE: 5	OF: 7



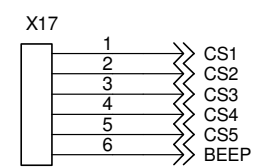
PORTBUS <>



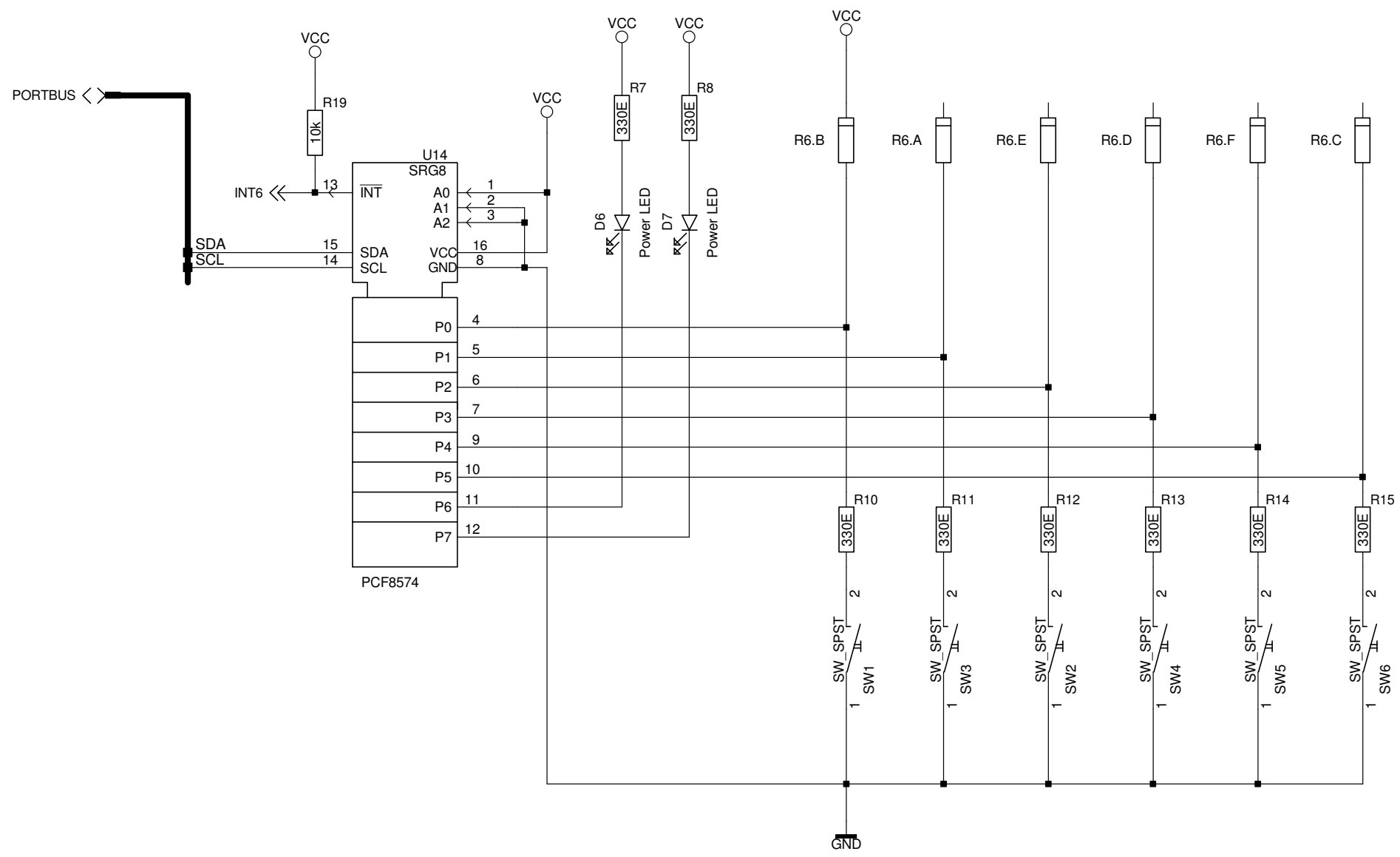
INTERRUPTS



SELECTS



ELEKTRONIK-ATELIER CH-3075 RÜFENACHT SWITZERLAND WWW.AVRCARD.COM	PROJECT:	PLAYGROUND	
	TITLE:	EXPANSION MODULES	
DRAWING NO	PCB REV:	2.0	DATE: 09.11.2004
	200.0012-06		PAGE: 6 OF: 7



ELEKTRONIK-ATELIER CH-3075 RÜFENACHT SWITZERLAND WWW.AVRCARD.COM	PROJECT:	PLAYGROUND	
	TITLE:	KEYS	
	PCB REV:	2.0	DATE: 09.11.2004
DRAWING NO	200.0012-07		PAGE: 7 OF: 7